

Service
Service
Service

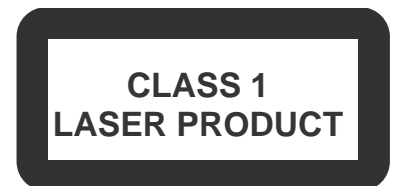


Service Manual

TABLE OF CONTENTS

	Page
Technical Specifications	1-2
Safety Instruction, Warning & Notes.....	1-3
PCBS Location, Version Variations.....	1-7
Mechanical and Dismantling Instructions	2
Software Version & Upgrades, Region Code Change.....	3
Trouble Shooting Chart	4
Set Wiring Diagram	5
Set Block Diagram.....	6
Schematic Diagrams.....	7
PCB layouts.....	8
Explode view.....	9
Revision List	10

© Copyright 2010 Philips Consumer Electronics B.V. Eindhoven, The Netherlands
All rights reserved. No part of this publication may be reproduced, stored in a retrieval system or transmitted, in any form or by any means, electronic, mechanical, photocopying, or otherwise without the prior permission of Philips.



3141 785 35380

Version 1.0



PHILIPS

1. Technical Specifications, Directions for Use

Index of this chapter:

[1.1 Technical Specifications](#)

[1.2 Directions for Use](#)

Notes:

- Figures can deviate due to the different set executions.
- Specifications are indicative (subject to change).

1.1 Technical Specifications

For on-line product support please use the following website:

http://www.p4c.philips.com/cgi-bin/dcbint/cpproduct_selector.pl

Here is product information available, as well as getting started, user manuals, frequently asked questions and software & drivers.

1.2 Directions for Use

You can download this information from the following websites:

<http://www.philips.com/support>

<http://www.p4c.philips.com>

2. Safety Instructions, Warnings, Notes, and Abbreviation List

Index of this chapter:

[2.1 Safety Instructions](#)

[2.2 Warnings](#)

[2.3 Notes](#)

[2.4 Abbreviation List](#)

2.1 Safety Instructions

Safety regulations require the following **during** a repair:

- Connect the set to the Mains/AC Power via an isolation transformer (> 800 VA).
- Replace safety components, indicated by the symbol ▲, only by components identical to the original ones. Any other component substitution (other than original type) may increase risk of fire or electrical shock hazard.

Safety regulations require that **after** a repair, the set must be returned in its original condition. Pay in particular attention to the following points:

- Route the wire trees correctly and fix them with the mounted cable clamps.
- Check the insulation of the Mains/AC Power lead for external damage.
- Check the strain relief of the Mains/AC Power cord for proper function.
- Check the electrical DC resistance between the Mains/AC Power plug and the secondary side (only for sets that have a Mains/AC Power isolated power supply):
 1. Unplug the Mains/AC Power cord and connect a wire between the two pins of the Mains/AC Power plug.
 2. Set the Mains/AC Power switch to the "on" position (keep the Mains/AC Power cord unplugged!).
 3. Measure the resistance value between the pins of the Mains/AC Power plug and the metal shielding of the tuner or the aerial connection on the set. The reading should be between 4.5 MΩ and 12 MΩ.
 4. Switch "off" the set, and remove the wire between the two pins of the Mains/AC Power plug.
- Check the cabinet for defects, to prevent touching of any inner parts by the customer.

2.2 Warnings

- All ICs and many other semiconductors are susceptible to electrostatic discharges (ESD ▲). Careless handling during repair can reduce life drastically. Make sure that, during repair, you are connected with the same potential as the mass of the set by a wristband with resistance. Keep components and tools also at this same potential.
- Be careful during measurements in the high voltage section.
- Never replace modules or other components while the unit is switched "on".
- When you align the set, use plastic rather than metal tools. This will prevent any short circuits and the danger of a circuit becoming unstable.

2.3 Notes

2.3.1 General

- Measure the voltages and waveforms with regard to the chassis (= tuner) ground (⊥), or hot ground (↕), depending on the tested area of circuitry. The voltages and waveforms shown in the diagrams are indicative. Measure them in the Service Default Mode (see chapter 5) with a colour bar signal and stereo sound (L: 3 kHz, R: 1 kHz unless stated otherwise) and picture carrier at 475.25 MHz for PAL, or 61.25 MHz for NTSC (channel 3).

- Where necessary, measure the waveforms and voltages with (⊥) and without (↕) aerial signal. Measure the voltages in the power supply section both in normal operation (⊕) and in stand-by (Ⓢ). These values are indicated by means of the appropriate symbols.

2.3.2 Schematic Notes

- All resistor values are in ohms, and the value multiplier is often used to indicate the decimal point location (e.g. 2K2 indicates 2.2 kΩ).
- Resistor values with no multiplier may be indicated with either an "E" or an "R" (e.g. 220E or 220R indicates 220 Ω).
- All capacitor values are given in micro-farads ($\mu = \times 10^{-6}$), nano-farads ($n = \times 10^{-9}$), or pico-farads ($p = \times 10^{-12}$).
- Capacitor values may also use the value multiplier as the decimal point indication (e.g. 2p2 indicates 2.2 pF).
- An "asterisk" (*) indicates component usage varies. Refer to the diversity tables for the correct values.
- The correct component values are listed in the Spare Parts List. Therefore, always check this list when there is any doubt.

2.3.3 BGA (Ball Grid Array) ICs

Introduction

For more information on how to handle BGA devices, visit this URL: www.atyourservice.ce.philips.com (needs subscription, not available for all regions). After login, select "Magazine", then go to "Repair downloads". Here you will find Information on how to deal with BGA-ICs.

BGA Temperature Profiles

For BGA-ICs, you **must** use the correct temperature-profile, which is coupled to the 12NC. For an overview of these profiles, visit the website www.atyourservice.ce.philips.com (needs subscription, but is not available for all regions)

You will find this and more technical information within the "Magazine", chapter "Repair downloads".

For additional questions please contact your local repair help desk.

2.3.4 Lead-free Soldering

Due to lead-free technology some rules have to be respected by the workshop during a repair:

- Use only lead-free soldering tin Philips SAC305 with order code 0622 149 00106. If lead-free solder paste is required, please contact the manufacturer of your soldering equipment. In general, use of solder paste within workshops should be avoided because paste is not easy to store and to handle.
- Use only adequate solder tools applicable for lead-free soldering tin. The solder tool must be able:
 - To reach a solder-tip temperature of at least 400°C.
 - To stabilize the adjusted temperature at the solder-tip.
 - To exchange solder-tips for different applications.
- Adjust your solder tool so that a temperature of around 360°C - 380°C is reached and stabilized at the solder joint. Heating time of the solder-joint should not exceed ~ 4 sec. Avoid temperatures above 400°C, otherwise wear-out of tips will increase drastically and flux-fluid will be destroyed. To avoid wear-out of tips, switch "off" unused equipment or reduce heat.
- Mix of lead-free soldering tin/parts with leaded soldering tin/parts is possible but PHILIPS recommends strongly to **avoid** mixed regimes. If this cannot be avoided, carefully clear the solder-joint from old tin and re-solder with new tin.

Safety Instructions, Warnings, Notes, and Abbreviation List

2.3.5 Alternative BOM identification

It should be noted that on the European Service website, "Alternative BOM" is referred to as "Design variant".

The **third digit** in the serial number (example: KX2B0835000001) indicates the number of the alternative B.O.M. (Bill Of Materials) that has been used for producing the specific AV set. In general, it is possible that the same AV model on the market is produced with e.g. two different types of display, coming from two different suppliers. This will then result in sets which have the same CTN (Commercial Type Number; e.g. MCM394/12) but which have a different B.O.M. number.

Also, it is possible that same model on the market is produced with two production centers, however their partslist is the same. In such case, no alternative B.O.M. will be created.

By looking at the third digit of the serial number, one can identify which B.O.M. is used for the set he is working with. If the third digit of the serial number contains the number "1" (example: KX1B033500001), then the set has been manufactured according to B.O.M. number 1. If the third digit is a "2" (example: KX2B033500001), then the set has been produced according to B.O.M. no. 2. This is important for ordering the correct spare parts!
For the third digit, the numbers 1...9 and the characters A...Z can be used, so in total: 9 plus 26= 35 different B.O.M.s can be indicated by the third digit of the serial number.

Identification: The bottom line of a type plate gives a 14-digit serial number. Digits 1 and 2 refer to the production centre (e.g. LM is Arts), digit 3 refers to the B.O.M. code, digit 4 refers to the Service version change code, digits 5 and 6 refer to the production year, and digits 7 and 8 refer to production week (in example below it is 2008 week 50). The 6 last digits contain the serial number.

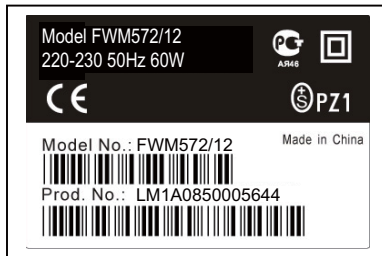


Figure 2-1 Serial number (example)

2.3.6 Module Level Repair (MLR) or Component Level Repair (CLR)

If a board is defective, consult your repair procedure to decide if the board has to be exchanged or if it should be repaired on component level.

If your repair procedure says the board should be exchanged completely, do not solder on the defective board. Otherwise, it cannot be returned to the O.E.M. supplier for back charging!

2.3.7 Practical Service Precautions

- **It makes sense to avoid exposure to electrical shock.** While some sources are expected to have a possible dangerous impact, others of quite high potential are of limited current and are sometimes held in less regard.
- **Always respect voltages.** While some may not be dangerous in themselves, they can cause unexpected reactions that are best avoided. Before reaching into a powered TV set, it is best to test the high voltage insulation. It is easy to do, and is a good service precaution.

2.4 Abbreviation List

0/6/12	SCART switch control signal on A/V board. 0 = loop through (AUX to TV), 6 = play 16 : 9 format, 12 = play 4 : 3 format
2DNR	Spatial (2D) Noise Reduction
3DNR	Temporal (3D) Noise Reduction
AARA	Automatic Aspect Ratio Adaptation: algorithm that adapts aspect ratio to remove horizontal black bars; keeps the original aspect ratio
ACI	Automatic Channel Installation: algorithm that installs TV channels directly from a cable network by means of a predefined TXT page
ADC	Analogue to Digital Converter
AFC	Automatic Frequency Control: control signal used to tune to the correct frequency
AGC	Automatic Gain Control: algorithm that controls the video input of the feature box
AM	Amplitude Modulation
ANR	Automatic Noise Reduction: one of the algorithms of Auto TV
AP	Asia Pacific
AR	Aspect Ratio: 4 by 3 or 16 by 9
ASF	Auto Screen Fit: algorithm that adapts aspect ratio to remove horizontal black bars without discarding video information
ATSC	Advanced Television Systems Committee, the digital TV standard in the USA
ATV	See Auto TV
Auto TV	A hardware and software control system that measures picture content, and adapts image parameters in a dynamic way
AV	External Audio Video
AVC	Audio Video Controller
AVIP	Audio Video Input Processor
B/G	Monochrome TV system. Sound carrier distance is 5.5 MHz
BLR	Board-Level Repair
BTSC	Broadcast Television Standard Committee. Multiplex FM stereo sound system, originating from the USA and used e.g. in LATAM and AP-NTSC countries
B-TXT	Blue TeleteXT
C	Centre channel (audio)
CEC	Consumer Electronics Control bus: remote control bus on HDMI connections
CL	Constant Level: audio output to connect with an external amplifier
CLR	Component Level Repair
COLUMBUS	COLOR LUMinance Baseband Universal Sub-system
ComPair	Computer aided rePair
CP	Connected Planet / Copy Protection
CSM	Customer Service Mode
CTI	Color Transient Improvement: manipulates steepness of chroma transients
CVBS	Composite Video Blanking and Synchronization
DAC	Digital to Analogue Converter
DBE	Dynamic Bass Enhancement: extra low frequency amplification
DDC	See "E-DDC"

Safety Instructions, Warnings, Notes, and Abbreviation List

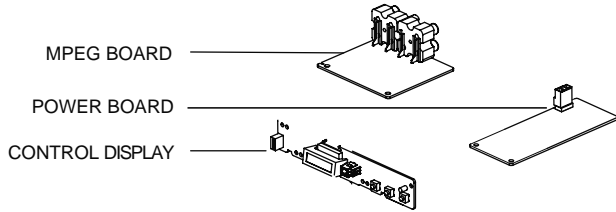
D/K	Monochrome TV system. Sound carrier distance is 6.5 MHz		lines. The fields are written in "pairs", causing line flicker.
DFI	Dynamic Frame Insertion	IR	Infra Red
DFU	Directions For Use: owner's manual	IRQ	Interrupt Request
DMR	Digital Media Reader: card reader	ITU-656	The ITU Radio communication Sector (ITU-R) is a standards body subcommittee of the International Telecommunication Union relating to radio communication. ITU-656 (a.k.a. SDI), is a digitized video format used for broadcast grade video. Uncompressed digital component or digital composite signals can be used. The SDI signal is self-synchronizing, uses 8 bit or 10 bit data words, and has a maximum data rate of 270 Mbit/s, with a minimum bandwidth of 135 MHz.
DMSD	Digital Multi Standard Decoding		
DNM	Digital Natural Motion		
DNR	Digital Noise Reduction: noise reduction feature of the set		
DRAM	Dynamic RAM		
DRM	Digital Rights Management		
DSP	Digital Signal Processing		
DST	Dealer Service Tool: special remote control designed for service technicians		
DTCP	Digital Transmission Content Protection; A protocol for protecting digital audio/video content that is traversing a high speed serial bus, such as IEEE-1394	ITV	Institutional TeleVision; TV sets for hotels, hospitals etc.
DVB-C	Digital Video Broadcast - Cable	JOP	Jaguar Output Processor
DVB-T	Digital Video Broadcast - Terrestrial	LS	Last Status; The settings last chosen by the customer and read and stored in RAM or in the NVM. They are called at start-up of the set to configure it according to the customer's preferences
DVD	Digital Versatile Disc		Latin America
DVI(-d)	Digital Visual Interface (d= digital only)		Liquid Crystal Display
E-DDC	Enhanced Display Data Channel (VESA standard for communication channel and display). Using E-DDC, the video source can read the EDID information form the display.	LATAM	Light Emitting Diode
EDID	Extended Display Identification Data (VESA standard)	LCD	Monochrome TV system. Sound carrier distance is 6.5 MHz. L' is Band I, L is all bands except for Band I
EEPROM	Electrically Erasable and Programmable Read Only Memory	LED	LOcal REGression approximation noise reduction
EMI	Electro Magnetic Interference	L/L'	LG.Philips LCD (supplier)
EPLD	Erasable Programmable Logic Device	LORE	Loudspeaker
EU	Europe	LPL	Low Voltage Differential Signalling
EXT	EXTernal (source), entering the set by SCART or by cinches (jacks)	LS	Mega bits per second
FBL	Fast BLanking: DC signal accompanying RGB signals	LVDS	Monochrome TV system. Sound carrier distance is 4.5 MHz
FDS	Full Dual Screen (same as FDW)	Mbps	Microprocessor without Interlocked Pipeline-Stages; A RISC-based microprocessor
FDW	Full Dual Window (same as FDS)	M/N	Matrix Output Processor
FLASH	FLASH memory	MIPS	Metal Oxide Silicon Field Effect Transistor, switching device
FM	Field Memory or Frequency Modulation		Motion Pictures Experts Group
FPGA	Field-Programmable Gate Array	MOP	Multi Platform InterFace
FTV	Flat TeleVision	MOSFET	MUTE Line
Gb/s	Giga bits per second		Not Connected
G-TXT	Green TeleteXT	MPEG	Near Instantaneous Compounded Audio Multiplexing. This is a digital sound system, mainly used in Europe.
H	H_sync to the module	MPIF	Negative Temperature Coefficient, non-linear resistor
HD	High Definition	MUTE	National Television Standard Committee. Color system mainly used in North America and Japan. Color carrier NTSC M/N= 3.579545 MHz, NTSC 4.43= 4.433619 MHz (this is a VCR norm, it is not transmitted off-air)
HDD	Hard Disk Drive	NC	Non-Volatile Memory: IC containing TV related data such as alignments
HDCP	High-bandwidth Digital Content Protection: A "key" encoded into the HDMI/DVI signal that prevents video data piracy. If a source is HDCP coded and connected via HDMI/DVI without the proper HDCP decoding, the picture is put into a "snow vision" mode or changed to a low resolution. For normal content distribution the source and the display device must be enabled for HDCP "software key" decoding.	NICAM	Open Circuit
HDMI	High Definition Multimedia Interface		On Screen Display
HP	HeadPhone	NTC	On screen display Teletext and Control; also called Artistic (SAA5800)
I	Monochrome TV system. Sound carrier distance is 6.0 MHz	NTSC	Project 50: communication protocol between TV and peripherals
I ² C	Inter IC bus		Phase Alternating Line. Color system mainly used in West Europe (color carrier= 4.433619 MHz) and South America (color carrier PAL M=
I ² D	Inter IC Data bus	NVM	
I ² S	Inter IC Sound bus	O/C	
IF	Intermediate Frequency	OSD	
Interlaced	Scan mode where two fields are used to form one frame. Each field contains half the number of the total amount of	OTC	
		P50	
		PAL	

Safety Instructions, Warnings, Notes, and Abbreviation List

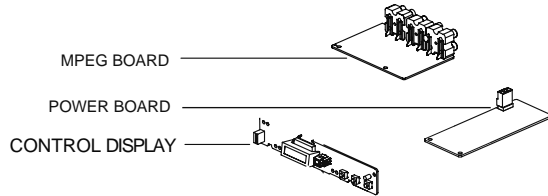
	3.575612 MHz and PAL N= 3.582056 MHz)	V	V-sync to the module
PCB	Printed Circuit Board (same as "PWB")	VCR	Video Cassette Recorder
PCM	Pulse Code Modulation	VESA	Video Electronics Standards Association
PDP	Plasma Display Panel	VGA	640x480 (4:3)
PFC	Power Factor Corrector (or Pre-conditioner)	VL	Variable Level out: processed audio output toward external amplifier
PIP	Picture In Picture	VSB	Vestigial Side Band; modulation method
PLL	Phase Locked Loop. Used for e.g. FST tuning systems. The customer can give directly the desired frequency	WYSIWYR	What You See Is What You Record: record selection that follows main picture and sound
POR	Power On Reset, signal to reset the uP	WXGA	1280x768 (15:9)
Progressive Scan	Scan mode where all scan lines are displayed in one frame at the same time, creating a double vertical resolution.	XTAL	Quartz crystal
		XGA	1024x768 (4:3)
PTC	Positive Temperature Coefficient, non-linear resistor	Y	Luminance signal
PWB	Printed Wiring Board (same as "PCB")	Y/C	Luminance (Y) and Chrominance (C) signal
PWM	Pulse Width Modulation	YPbPr	Component video. Luminance and scaled color difference signals (B-Y and R-Y)
QRC	Quasi Resonant Converter	YUV	Component video
QTNR	Quality Temporal Noise Reduction		
QVCP	Quality Video Composition Processor		
RAM	Random Access Memory		
RGB	Red, Green, and Blue. The primary color signals for TV. By mixing levels of R, G, and B, all colors (Y/C) are reproduced.		
RC	Remote Control		
RC5 / RC6	Signal protocol from the remote control receiver		
RESET	RESET signal		
ROM	Read Only Memory		
R-TXT	Red TeleteXT		
SAM	Service Alignment Mode		
S/C	Short Circuit		
SCART	Syndicat des Constructeurs d'Appareils Radiorécepteurs et Téléviseurs		
SCL	Serial Clock I ² C		
SCL-F	CLock Signal on Fast I ² C bus		
SD	Standard Definition		
SDA	Serial Data I ² C		
SDA-F	DAta Signal on Fast I ² C bus		
SDI	Serial Digital Interface, see "ITU-656"		
SDRAM	Synchronous DRAM		
SECAM	SEequence Couleur Avec Mémoire. Color system mainly used in France and East Europe. Color carriers= 4.406250 MHz and 4.250000 MHz		
SIF	Sound Intermediate Frequency		
SMPS	Switched Mode Power Supply		
SoC	System on Chip		
SOG	Sync On Green		
SOPS	Self Oscillating Power Supply		
S/PDIF	Sony Philips Digital InterFace		
SRAM	Static RAM		
SRP	Service Reference Protocol		
SSB	Small Signal Board		
STBY	STand-BY		
SVGA	800x600 (4:3)		
SVHS	Super Video Home System		
SW	Software		
SWAN	Spatial temporal Weighted Averaging Noise reduction		
SXGA	1280x1024		
TFT	Thin Film Transistor		
THD	Total Harmonic Distortion		
TMDS	Transmission Minimized Differential Signalling		
TXT	TeleteXT		
TXT-DW	Dual Window with TeleteXT		
UI	User Interface		
uP	Microprocessor		
UXGA	1600x1200 (4:3)		

PCB LOCATION

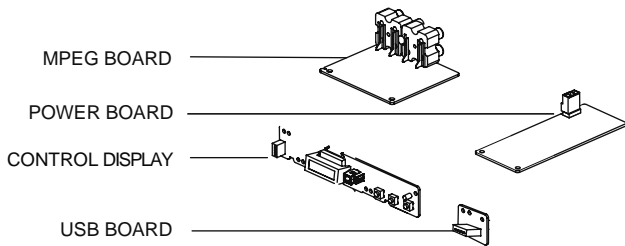
DVP3510



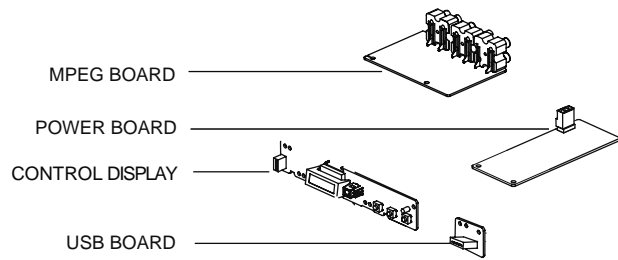
DVP3516



DVP3520



DVP3526



VERSION VARIATIONS

Type / Version	DVP3510	DVP3516	DVP3520	DVP3526
Board in used / Service policy	/94	/94	/94	/94
MPEG BOARD 5.1 MT1389QE		C/M		C/M
MPEG BOARD 2.0 MT1389QE	C/M		C/M	
POWER BOARD	C/M	C/M	C/M	C/M
CONTROL DISPLAY BOAR	C/M	C/M	C/M	C/M
USB BOARD			C/M	C/M
* TIPS: C -- Component Lever Repair. M -- Module Lever Repair X -- Used				

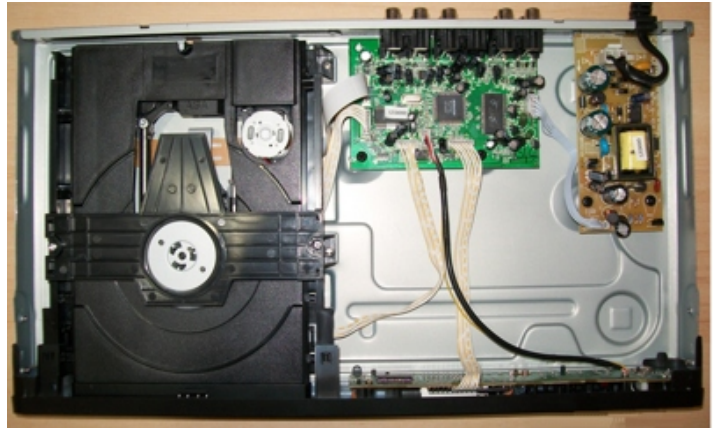
Mechanical and Dismantling Instructions

Dismantling Instruction

Detailed information please refer to the model set.

The following guidelines show how to dismantle the player.

Step1: Remove 5 screws around the Top Cover, and then remove the Top Cover (Figure 1).



Sample model is DVP3526

Figure 1

Step2: If it is necessary to dismantle Loader or Front Panel, the Front door should be removed first. (Figure 2)

Note: Make sure to operate gently otherwise the guider would be damaged.



Please kindly note that dismantle the front door assembly carefully to avoid damage tray and the front door.

Figure 2

Mechanical and Dismantling Instructions

Dismantling Instruction

Detailed information please refer to the model set.

Step3: If the tray can't open in normal way, you can make it through the instruction as below (Figure 3).

Note: Make sure to operate gently otherwise the guider would be damaged.



Figure 3

Step4: Dismantling Front Panel , disconnect the connectors (J4 , J5), need release 4 snaps of Front Panel & 2 snaps of bottom cabinet, then gently pull the Panel out of the set. (Figure 4-Figure 6)

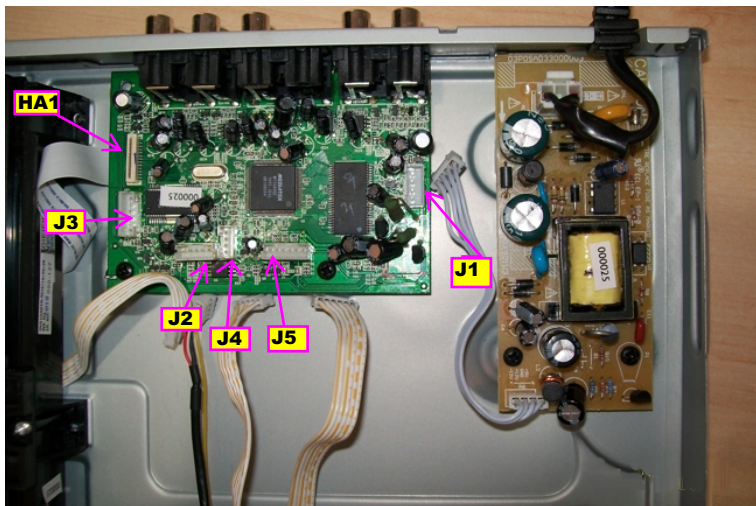


Figure 4

Mechanical and Dismantling Instructions

Dismantling Instruction

Detailed information please refer to the model set.

Step5: Dismantling Loader, disconnect the 3 connectors (HA1,J3) aiming in the below figure, and remove 1 screw that connects the loader and the bottom cabinet. (Figure 5)

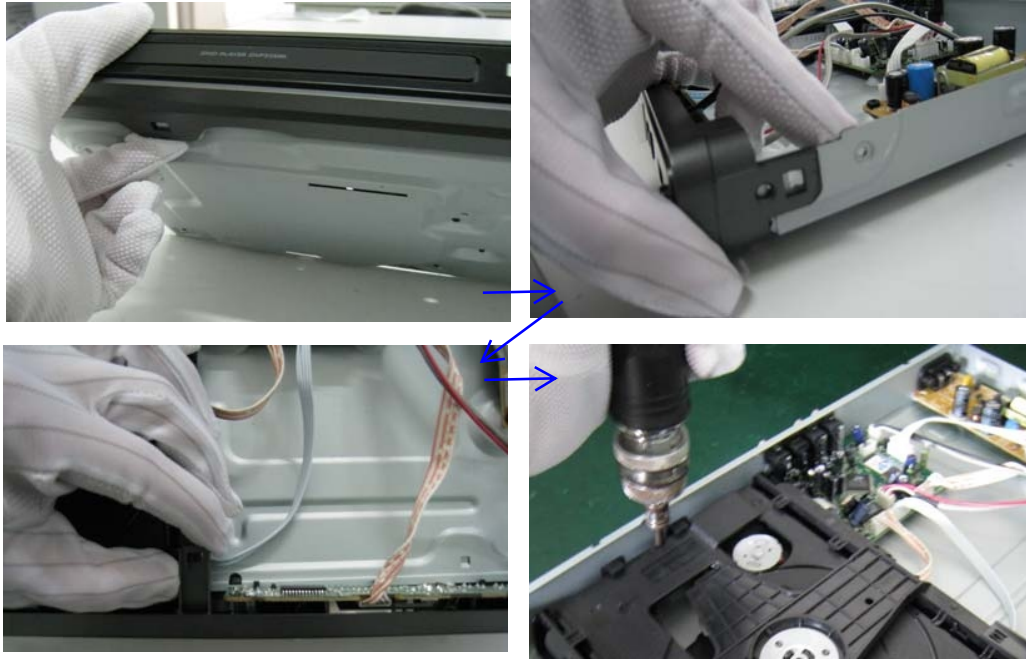


Figure 5

Step6: Dismantling Main Board, first disconnect the connector J1 and then remove 5 Screws. (Figure 6)

Step7: Remove the 2 screws on Power Board to dismantle the Power Board. (Figure 6)

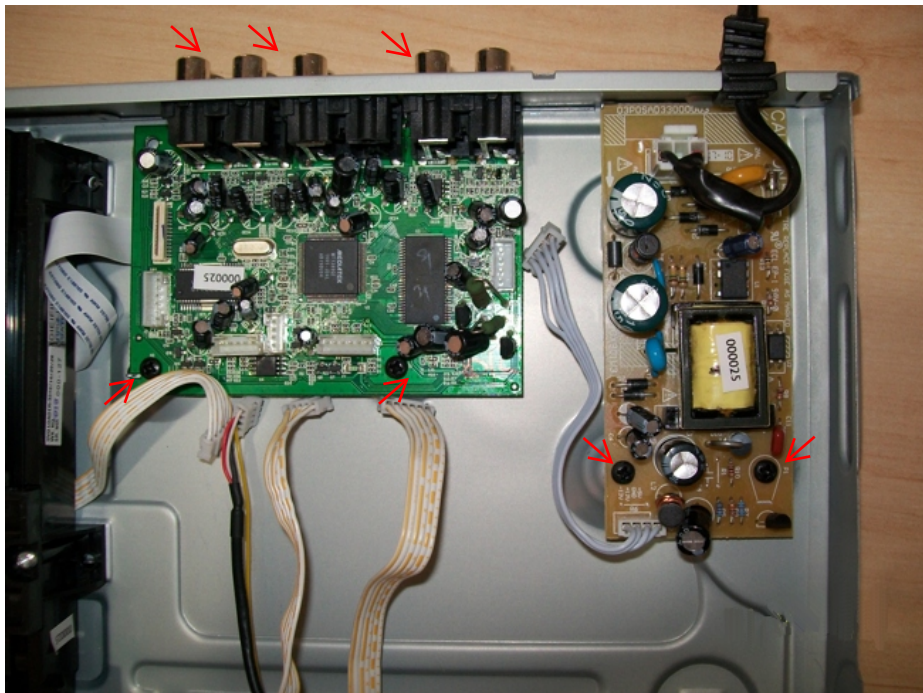


Figure 6

Software upgrade and region code change

Preparation to upgrade software

- 1) Power on the set and open the tray, then press "info" on remote control to check the SW File Name.
- 2) Start the CD Burning software and create a new CD project (Data Disc) with the following setting:
Label: DVP(HTP)3XXX(K) (No need the label name)
SW File Name: DVPXXXX(K)_XX.bin
Note: It is required to keep the SW file name accord.
- 3) Burn the data onto a blank CDR

A. Procedure for software upgrade:

A) Upgrade software via CDR:

- 1) Power on the set and insert the prepared Upgrade CDR.
- 2) The set will starts reading disc & response with the following display TV screen:
Upgrade file detected
Upgrade ?
Press PLAY to start
- 3) Press "PLAY" button to confirm, then screen will display:
Upgrade file detected Upgrade file detected
Do not power off Do not power off
File Copying → Upgrading
- 4) The upgraded tray will automatically open when file copying completed, then take out the disc.
- 5) About 1 minute later, the trace will automatically close when upgrading completed.

B) Upgrade software via USB Flash Drive:

- 1) Create the correct software file onto the USB flash drive.
- 2) Power on the set and keep no disc, then insert it to the USB jack of the front panel.
- 3) When the DVD player switches to the USB state automatically, pls follow the instructions on the TV screen to confirm the upgrade operation.

B. Read out the software versions to confirm upgrading

- 1) Power on the set and press "Setup" button on the remote control.
- 2) Press down cursor on remote control to select "Preferences" and press right & down cursor to select "Version Info".

The software version and other informations will be displayed on the TV screen as follows:

Model	D V P XXXX/94 (model number)
Version	XX.XX.XX.XX (Main version)
Region Code	X

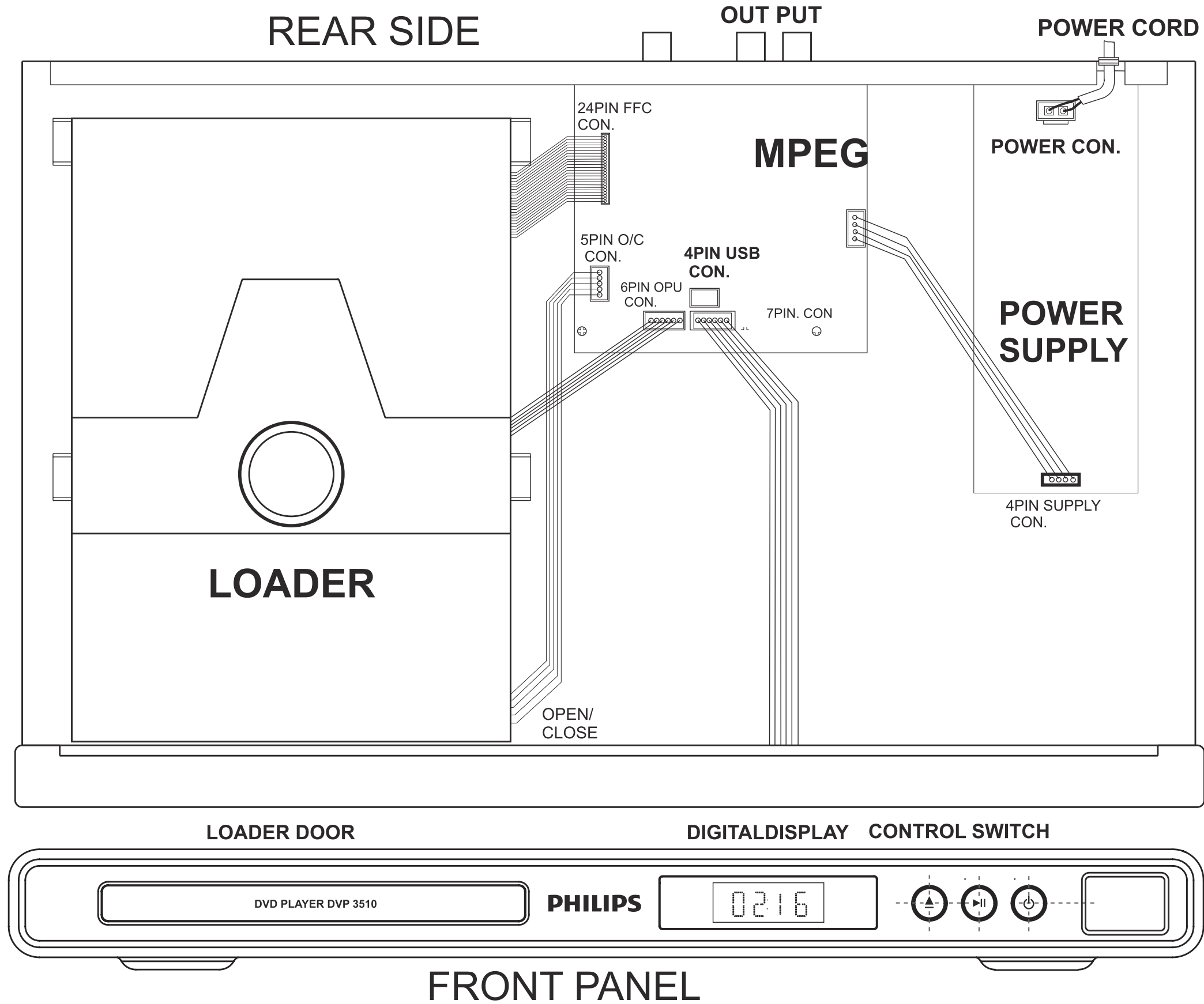
Caution: The set must not be power off during upgrading, Otherwise the Main board will be damaged entirely.

Region Code Change

- 1) Power on the set and open the tray door;
- 2) Press the "Setup" button on the remote control, then the setup interface will be displayed on the TV screen;
- 3) Move the down cursor on remote control to select "Preferences" and press "1""3""8""9""3""1" on the remote control;
- 4) Then move the up or down cursor to select the region code.

Note: Restart after above steps.

DVP3510/94 WIRING DIAGRAM



REAR SIDE

OUT PUT

POWER CORD

24PIN FFC CON.

MPEG

POWER CON.

5PIN O/C CON.

4PIN USB CON.

6PIN OPU CON.

7PIN. CON

POWER SUPPLY

4PIN SUPPLY CON.

LOADER

OPEN/CLOSE

LOADER DOOR

DIGITAL DISPLAY CONTROL SWITCH

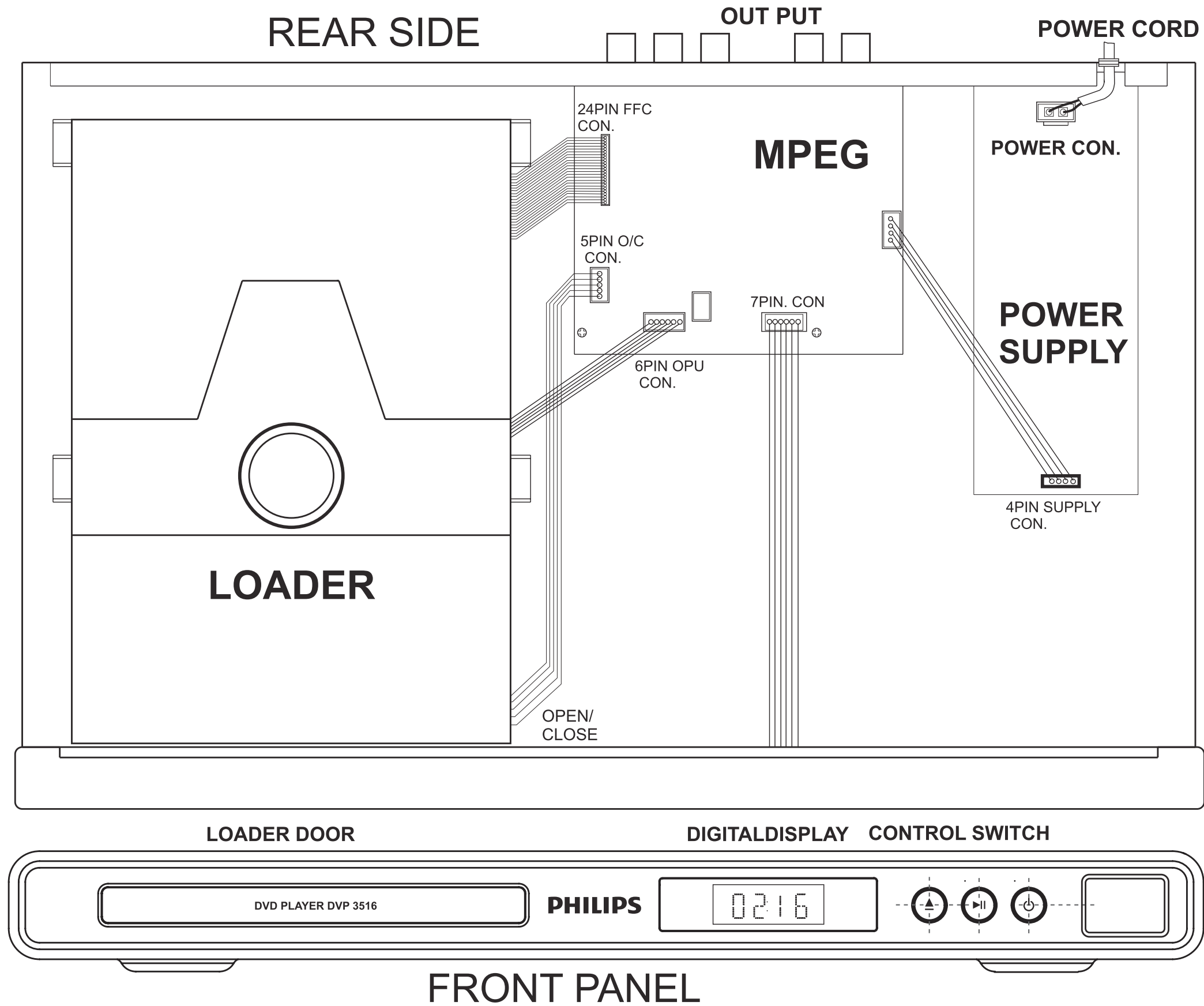
DVD PLAYER DVP 3510

PHILIPS

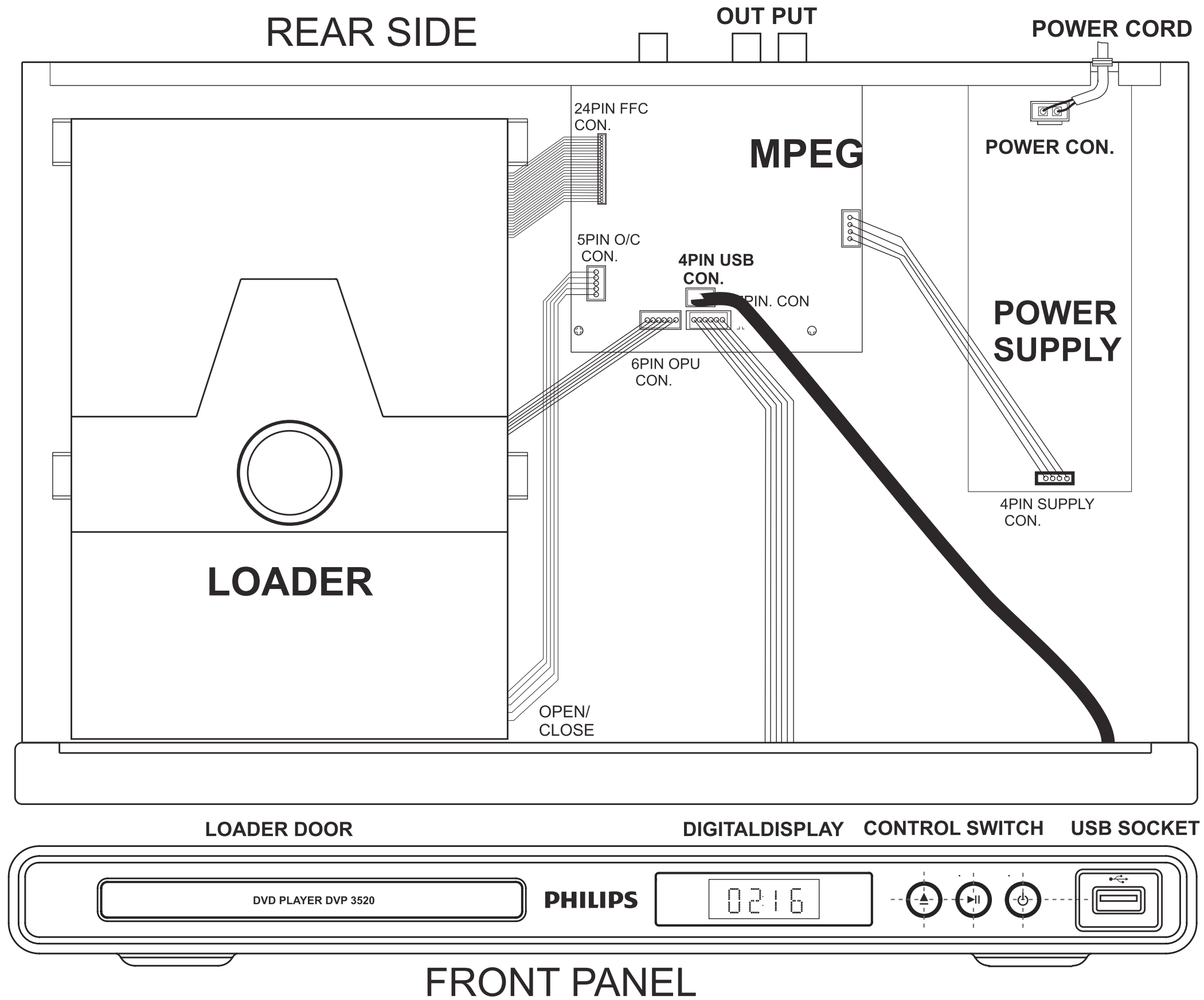
0216

FRONT PANEL

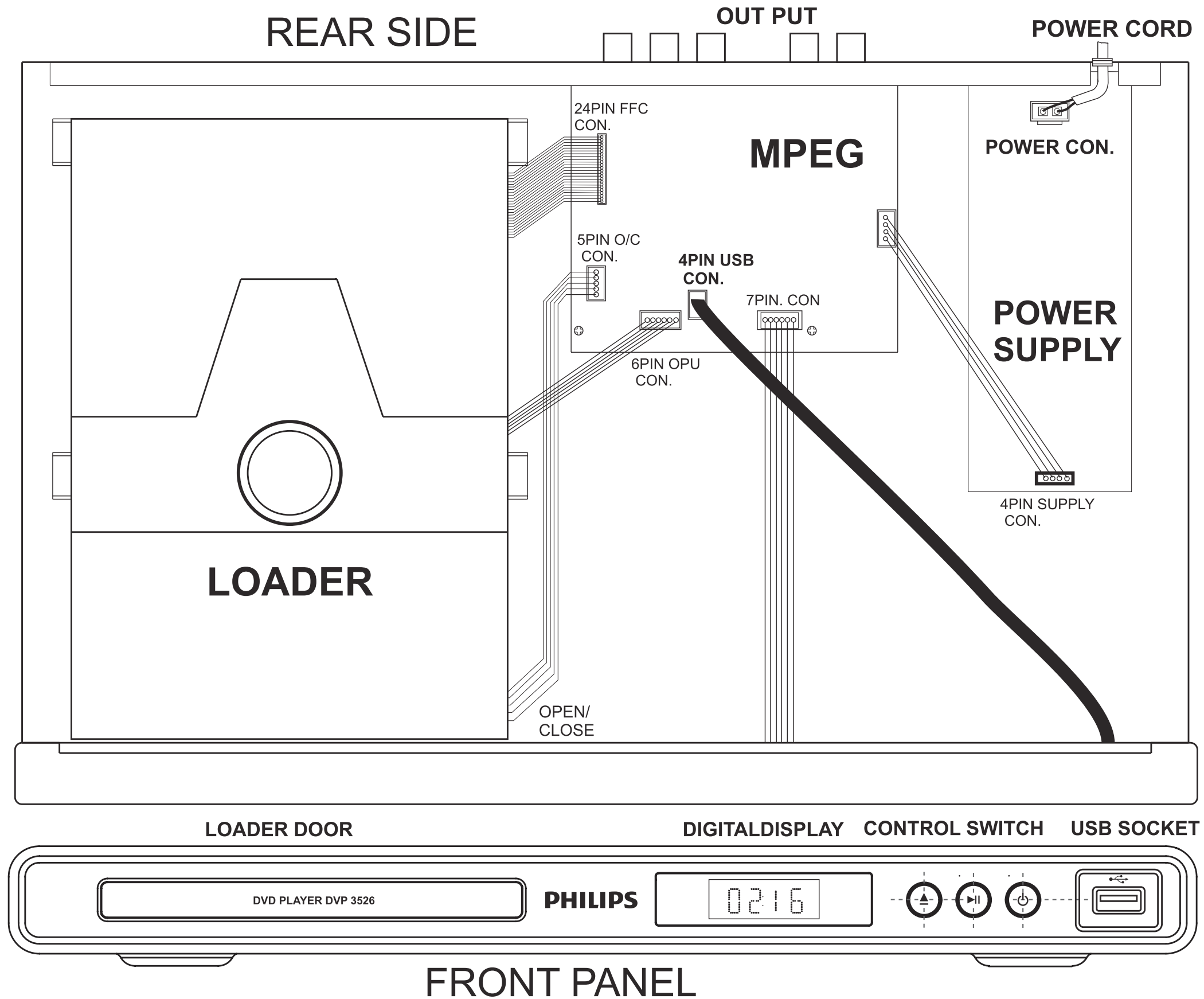
DVP3516/94 WIRING DIAGRAM



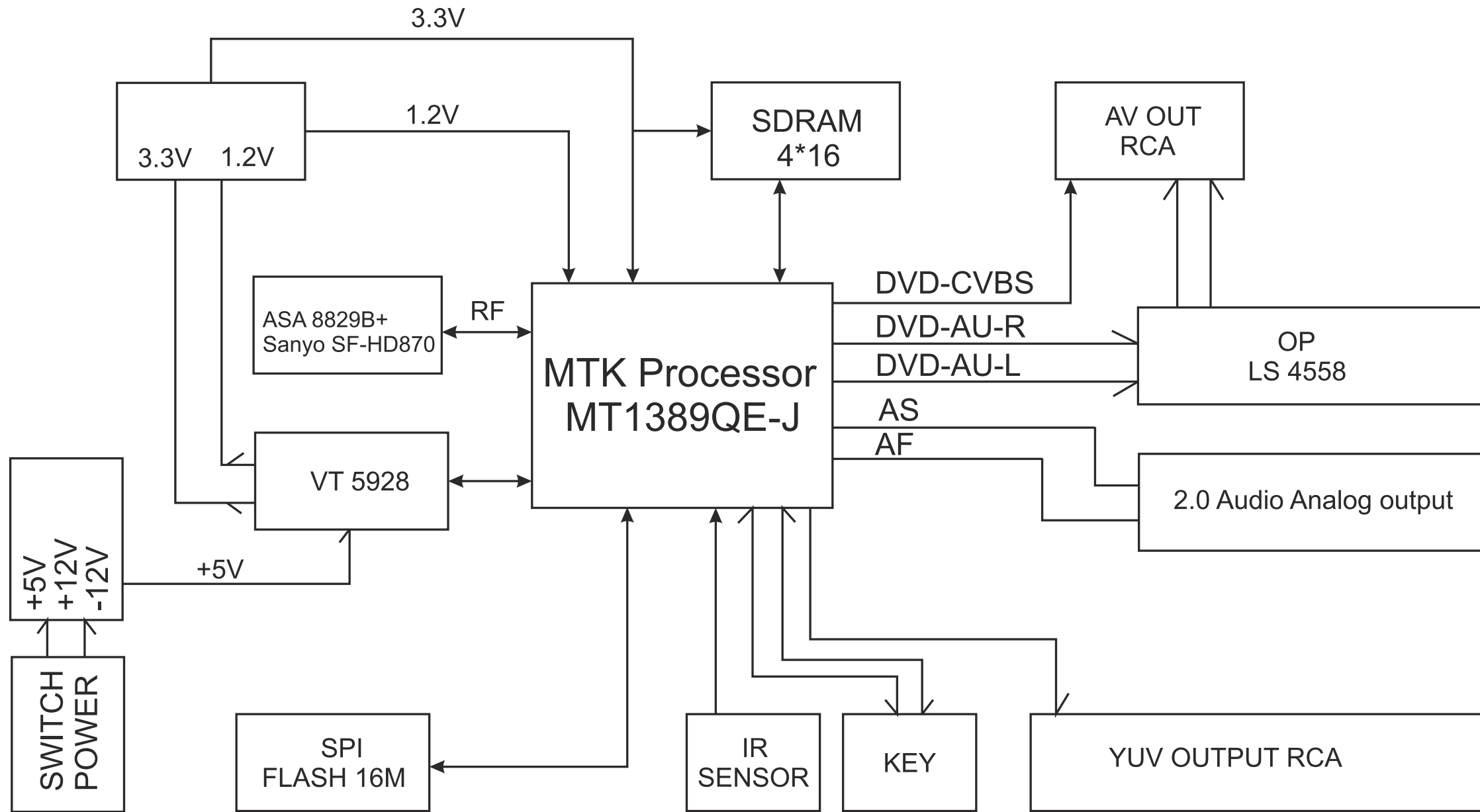
DVP3520/94 WIRING DIAGRAM



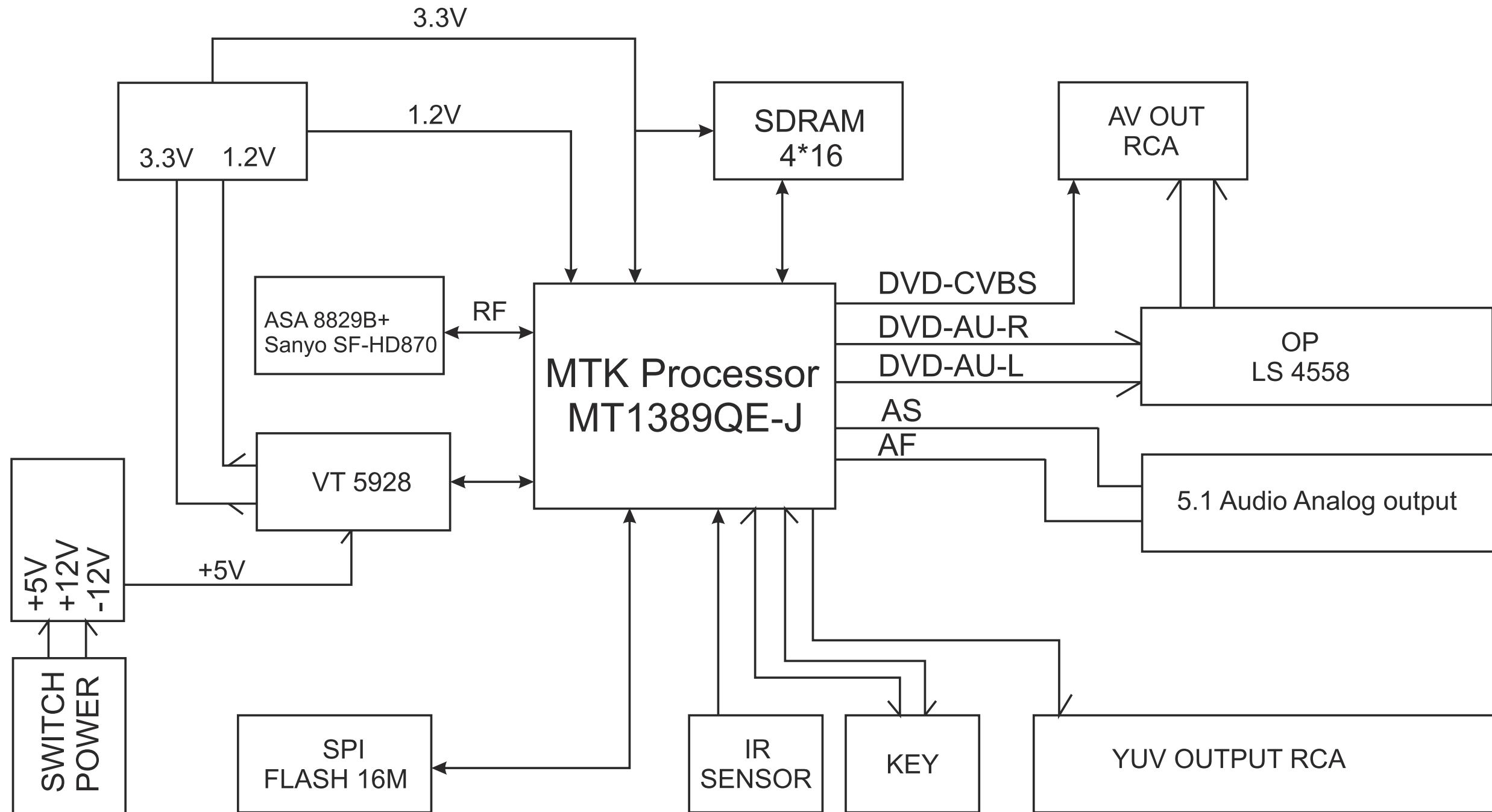
DVP3526/94 WIRING DIAGRAM



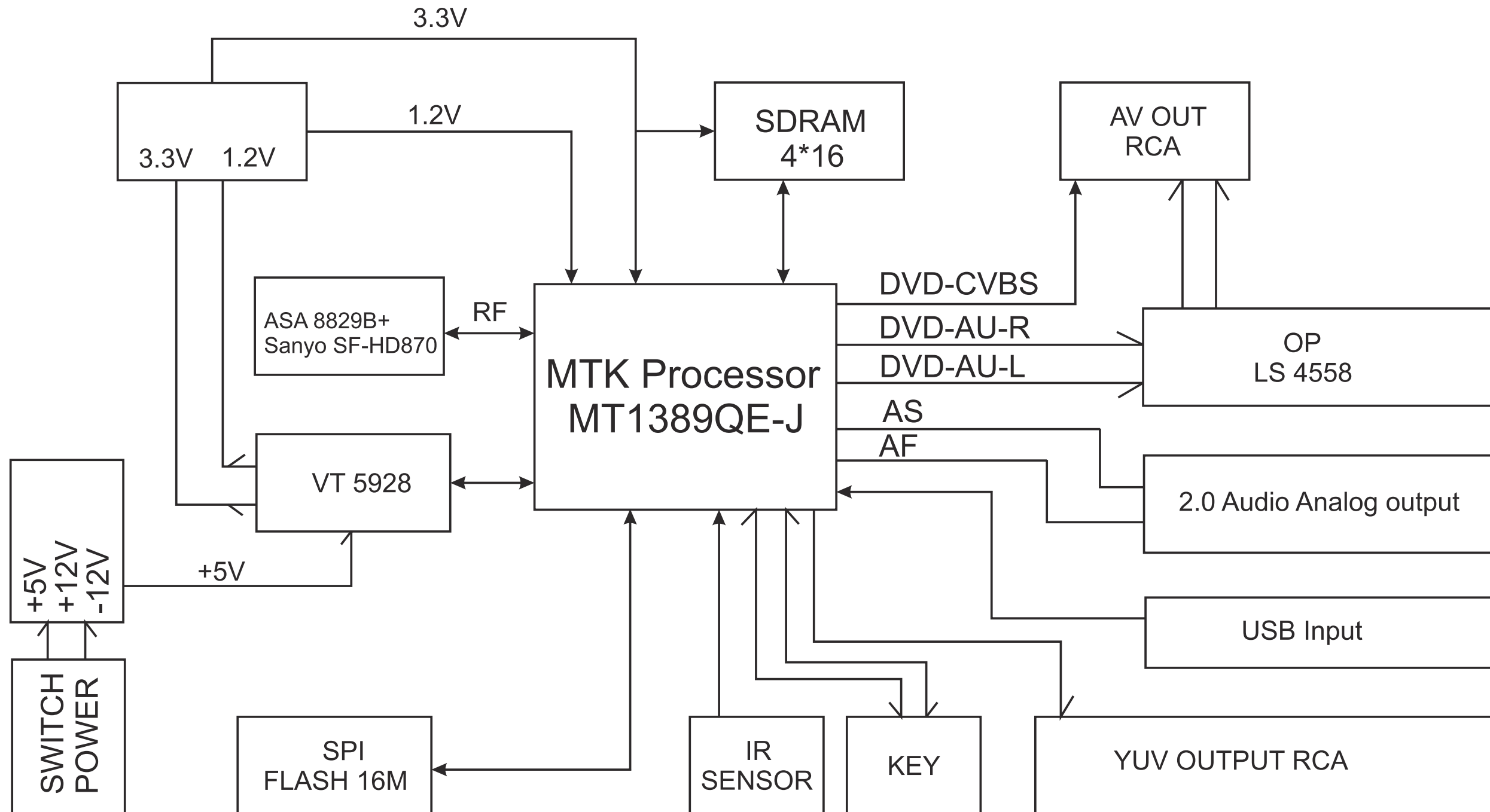
DVP3510/94 BLOCK DIAGRAM



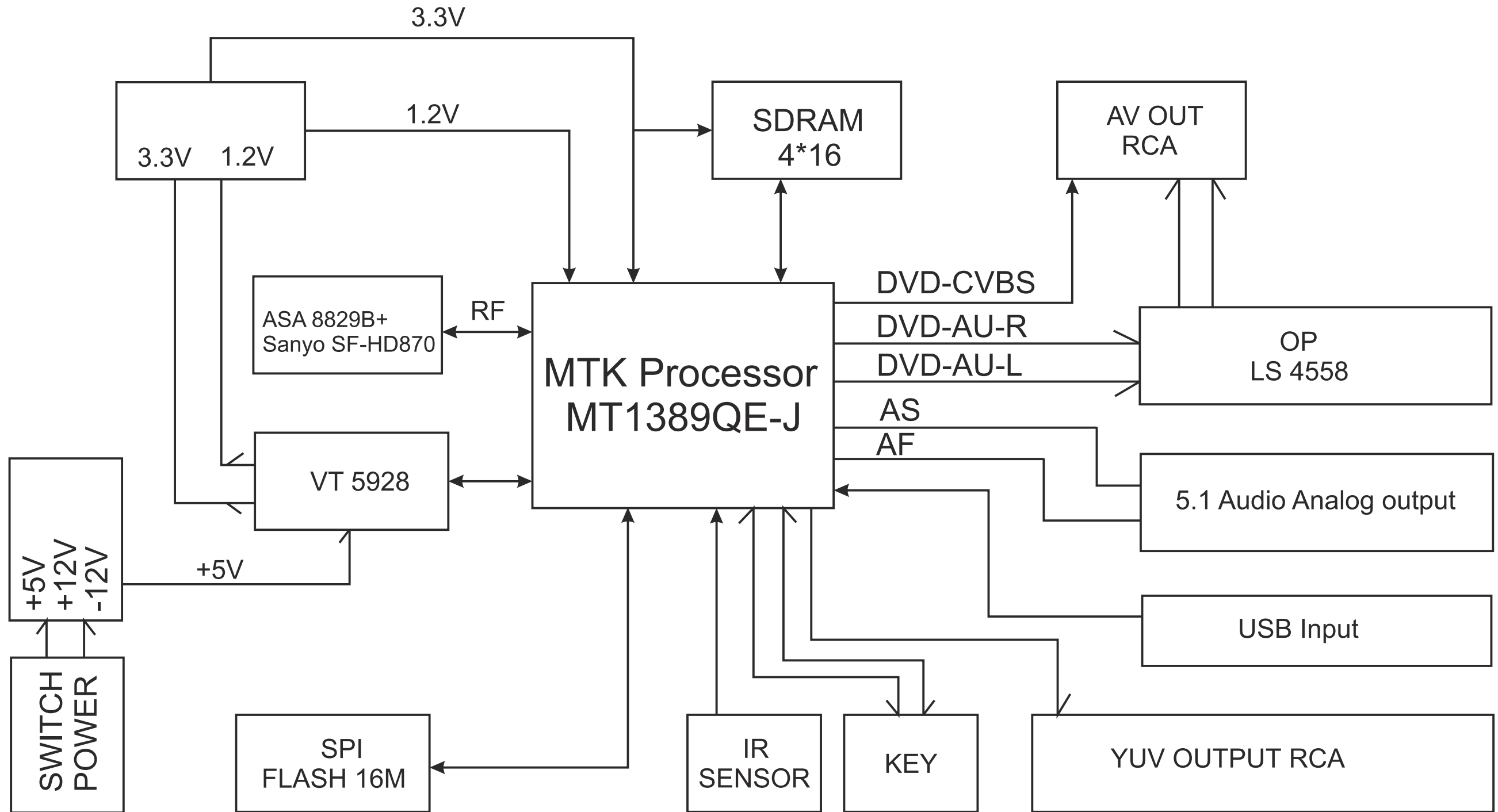
DVP3516/94 BLOCK DIAGRAM



DVP3520/94 BLOCK DIAGRAM



DVP3526/94 BLOCK DIAGRAM



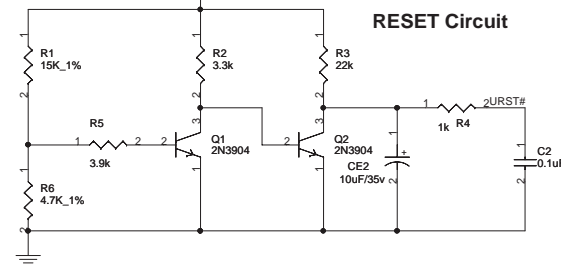
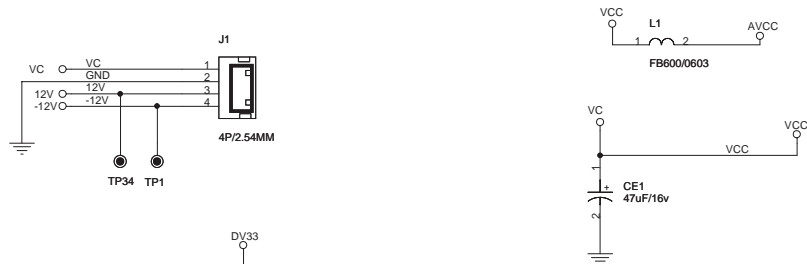
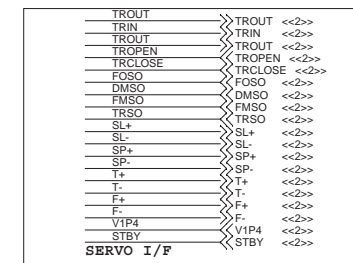
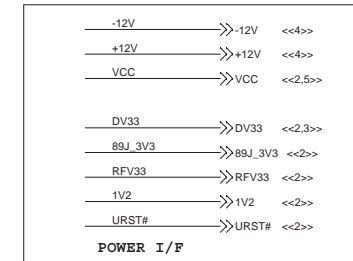
MPEG BOARD 5.1 MT1389QE SCHEMATIC DIAGRAM: INDEX / POWER /RESET

Dixon MT1389J_HD870 Philips

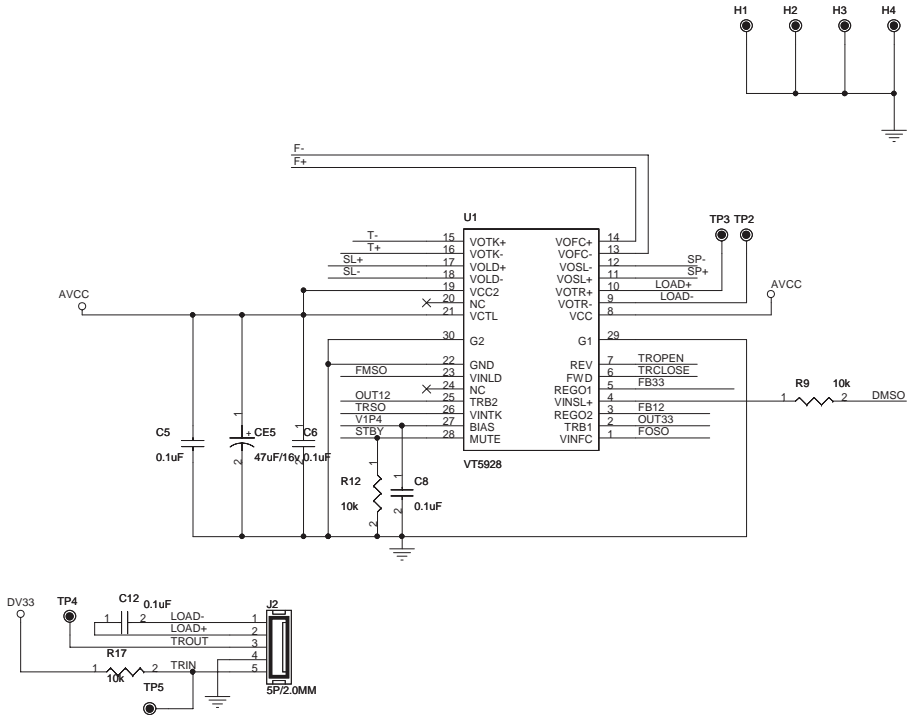
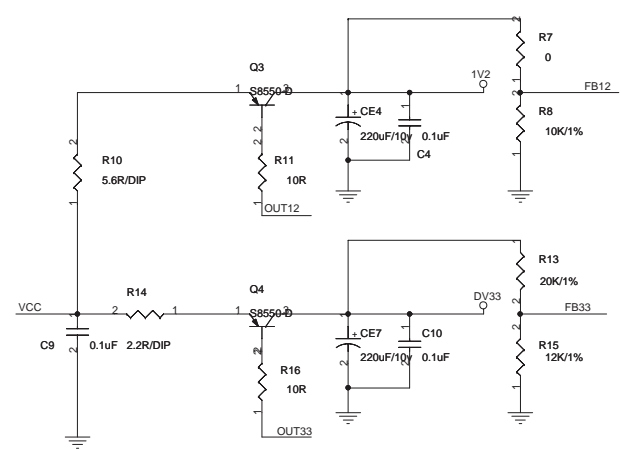
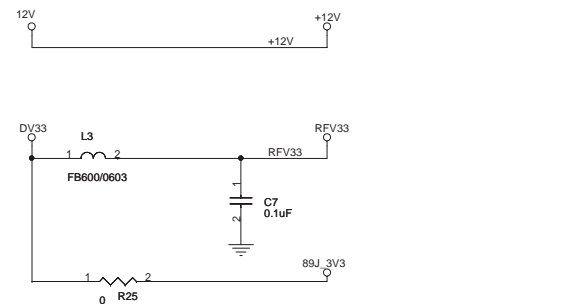
MT1389J DVD Board w/ Sanyo HD8xx Series PUHs

- 1 INDEX & POWER / RESET
- 2 MT1389J LQFP128
- 3 SDRAM & FLASH & MOTOR
- 4 AUDIO OUT
- 5 AUDIO IN
- 6 VIDEO I/F

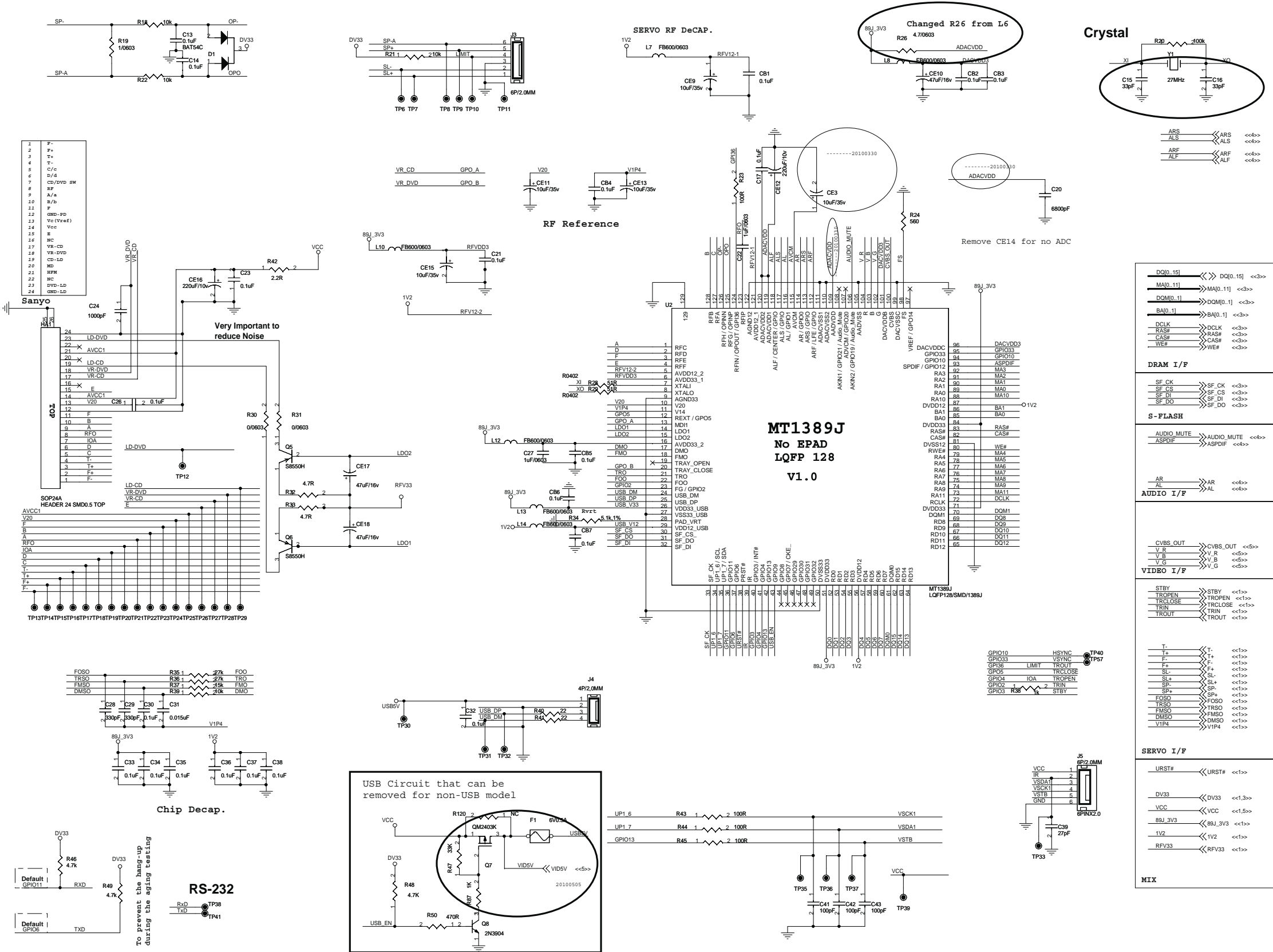
Name	PIN	Features
GPO5	12	TRCLOSE
GPO_A	19	VR_CD
GPO_B	20	VR_DVD
GPIO2	23	TRIN
UP1_6	34	VSCK
UP1_7	35	VSDA
GPIO11	36	RXD
GPIO6	37	SD_D0 TXD
GPIO3	40	STBY
GPIO4	41	TROPEN IOA
GPIO13	42	VSTB
GPIO9	43	MS_D0 SD_CMD
GPIO8	44	MS_BS SD_CLK
GPIO7	45	MS_CLK
GPIO29	46	Gxyz_LOAD
GPIO30	47	Gxyz_CLK
GPIO31	48	Gxyz_DA1
GPIO32	49	Gxyz_DA2
GPIO12	93	ASPDIF
GPIO10	94	SCART1 HSYNC
GPIO33	95	SCART2 VSYNC
GPO14	97	AUDIO_MUTE
GPIO19	106	AKIN2
GPIO20	107	ADVCM
GPIO21	108	AKIN1
GPI36	124	LIMIT TROUT



MT1389J General GPIO List

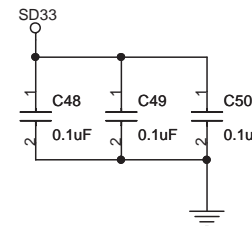
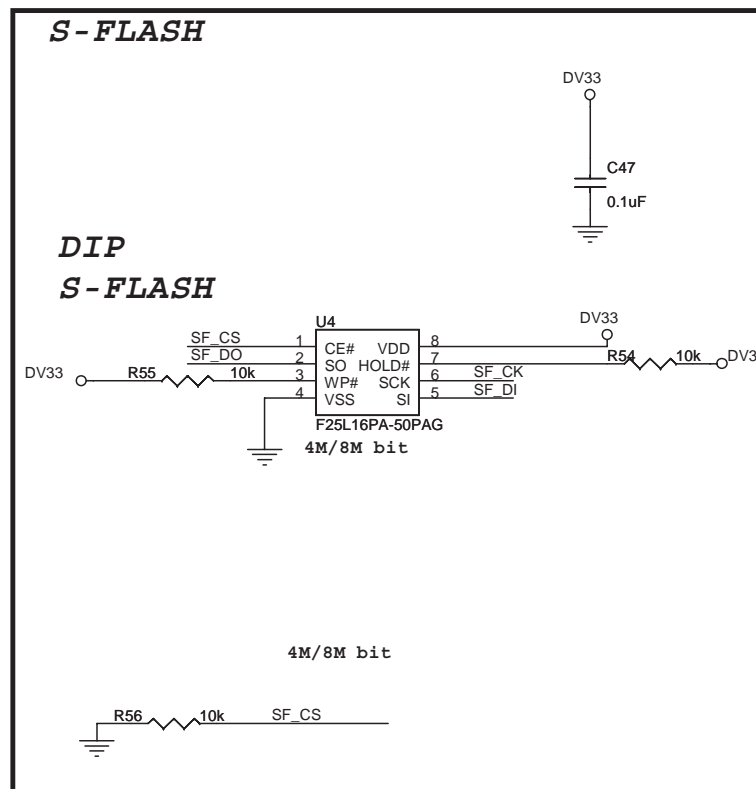
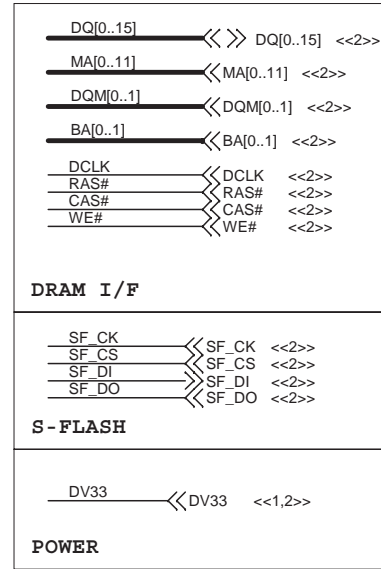
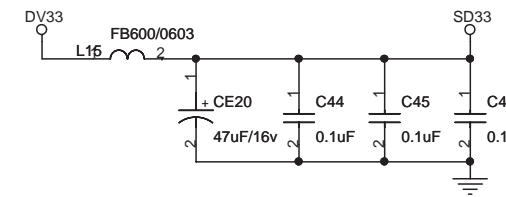
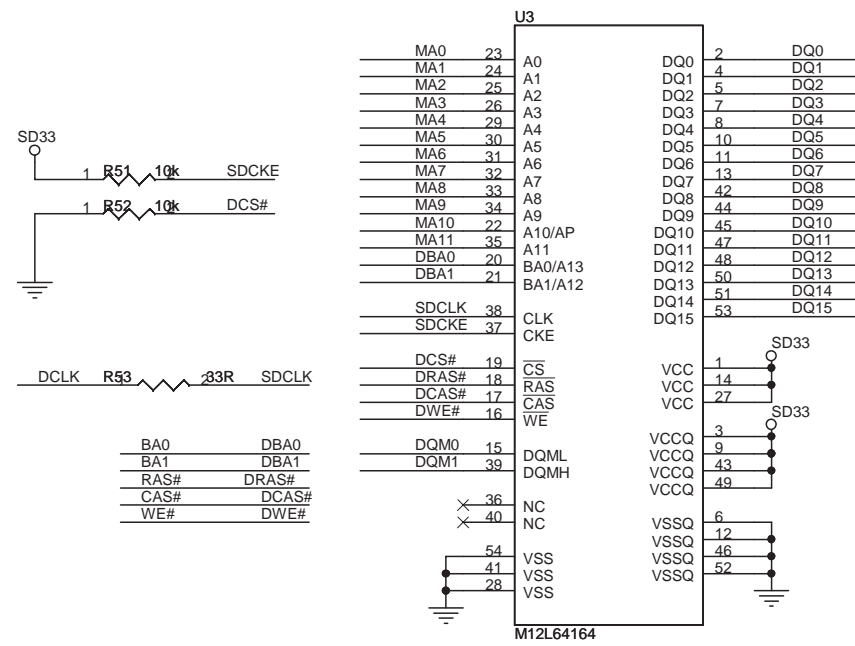


MPEG BOARD 5.1 MT1389QE SCHEMATIC DIAGRAM: MT1389J

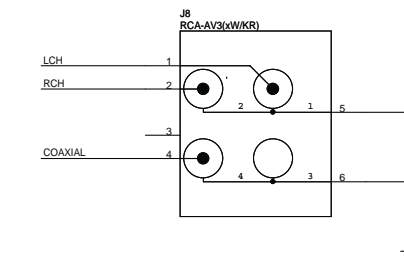
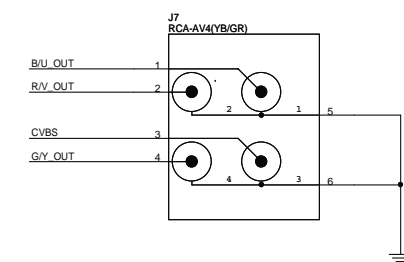
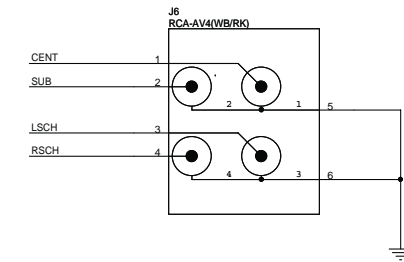
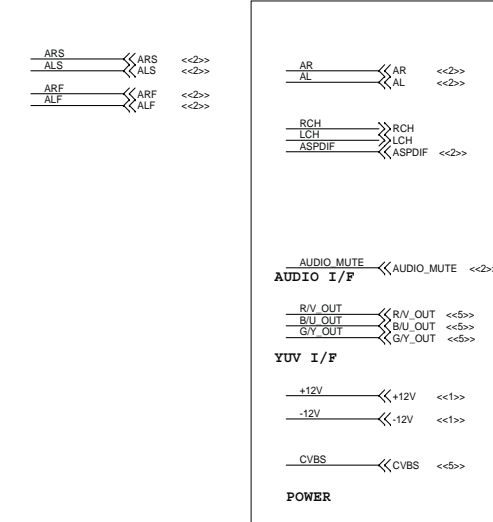
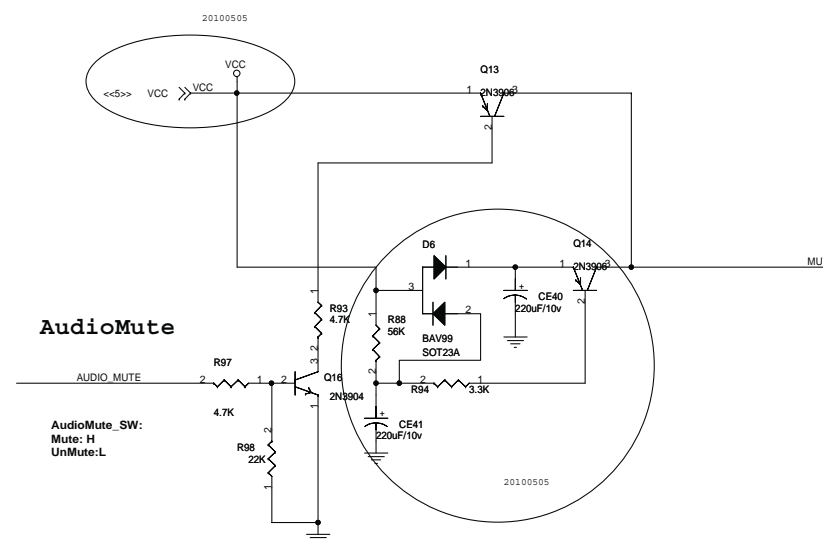
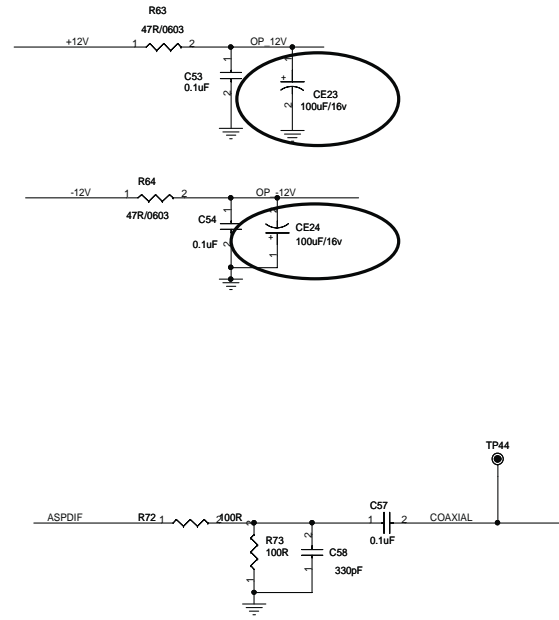
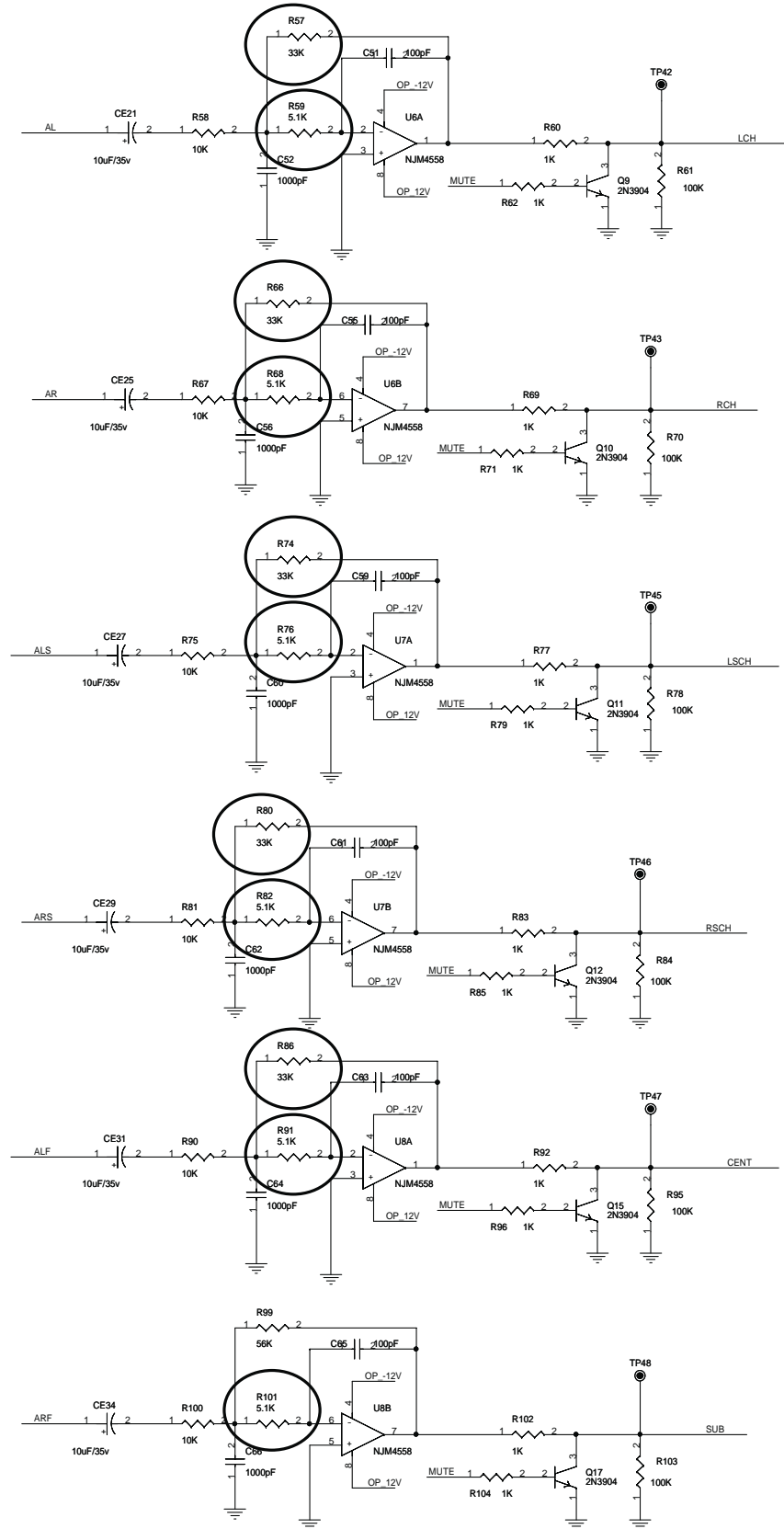


MPEG BOARD 5.1 MT1389QE SCHEMATIC DIAGRAM: SDRAM / FLASH / MOTOR

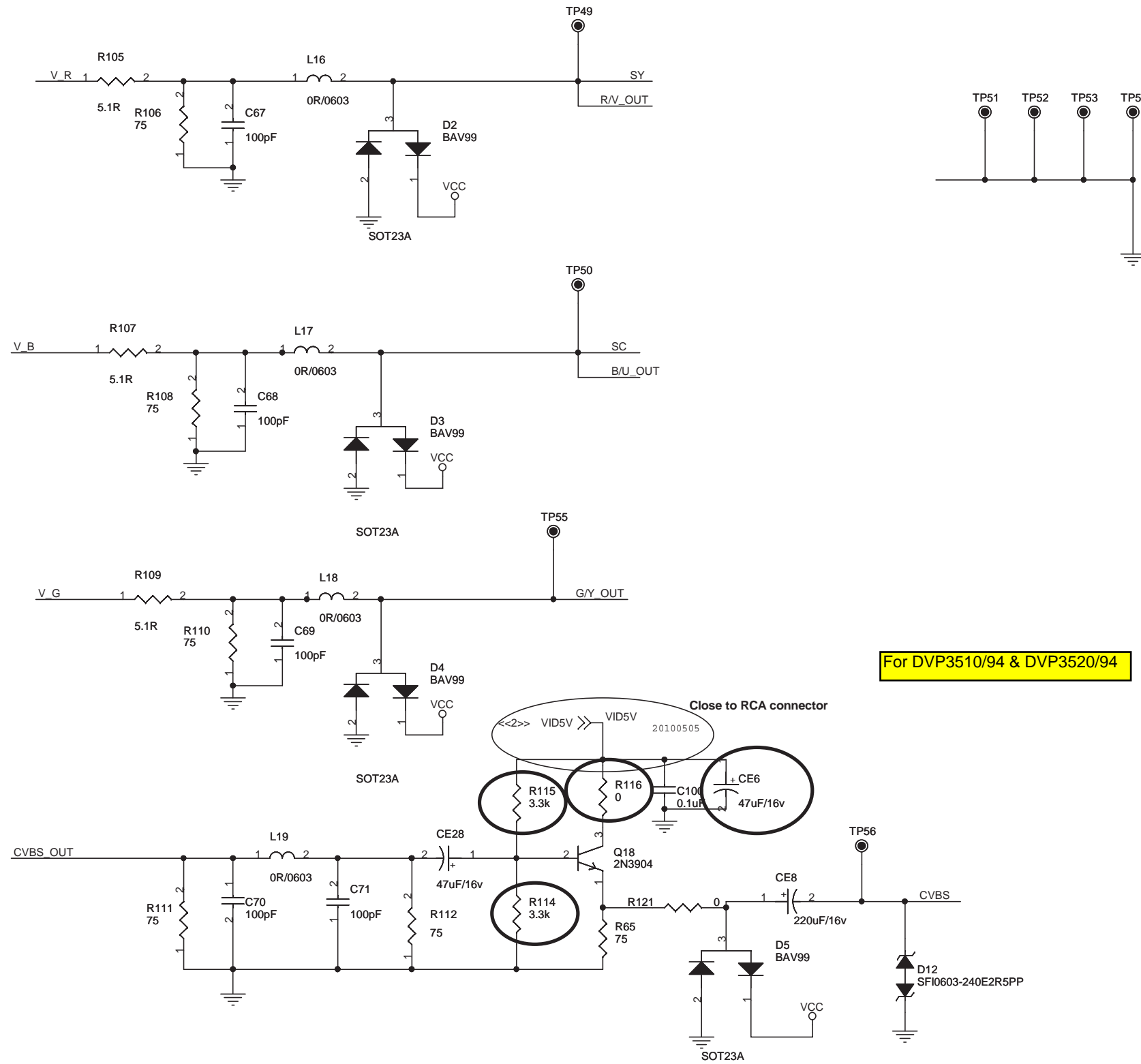
SDRAM



MPEG BOARD 5.1 MT1389QE SCHEMATIC DIAGRAM: AUDIO OUTPUT



MPEG BOARD 5.1 MT1389QE SCHEMATIC DIAGRAM: VIDEO OUTPUT

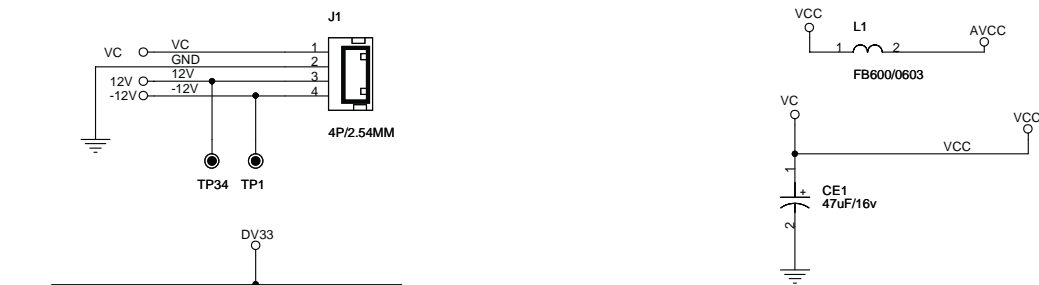
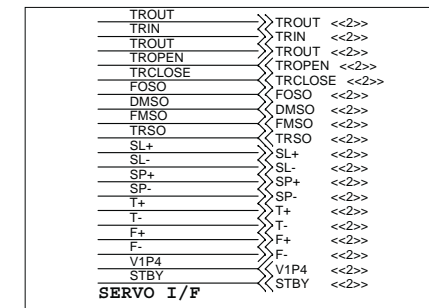
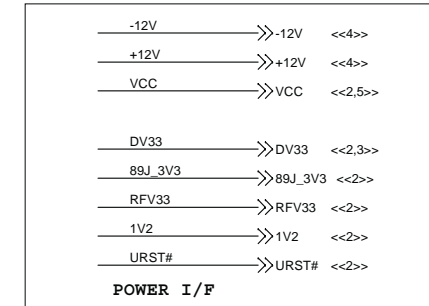


R/V_OUT	↔	R/V_OUT	<<4>>
B/U_OUT	↔	B/U_OUT	<<4>>
G/Y_OUT	↔	G/Y_OUT	<<4>>
CVBS	↔	CVBS	<<4>>
CVBS_OUT	↔	CVBS_OUT	<<2>>
V_R	↔	V_R	<<2>>
V_B	↔	V_B	<<2>>
V_G	↔	V_G	<<2>>
VIDEO I/F			
RCH	↔	RCH	<<4>>
LCH	↔	LCH	<<4>>
AUDIO I/F			
DV33	↔	DV33	<<1,2,3>>
VCC	↔	VCC	<<1,2>>
POWER			

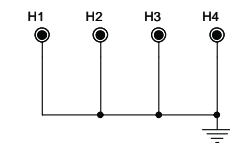
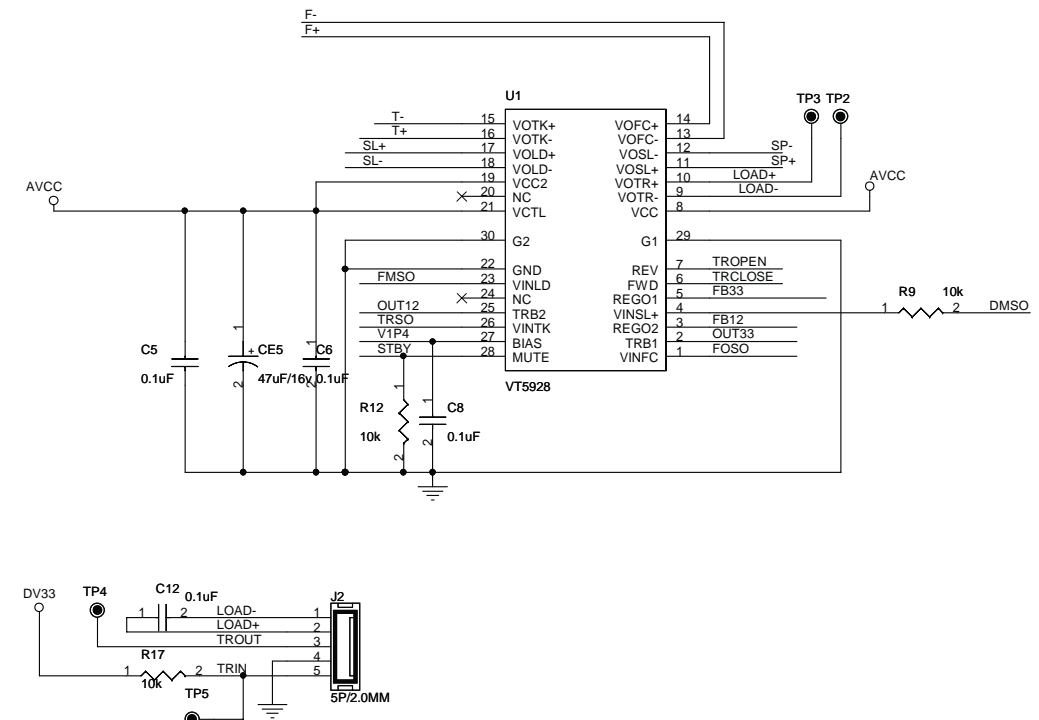
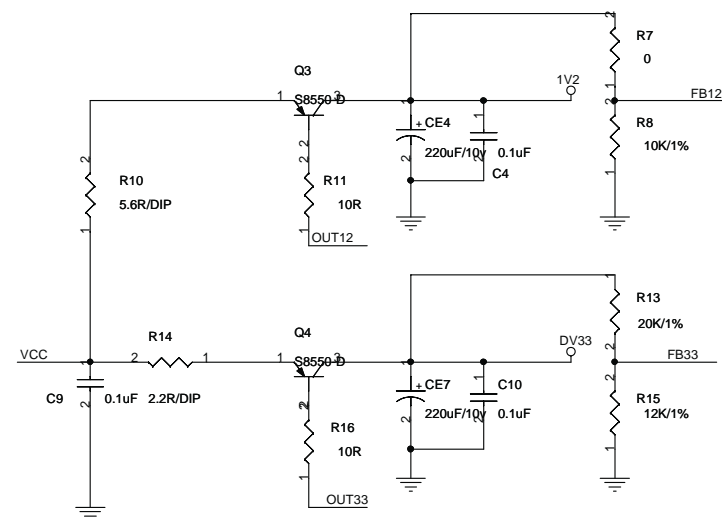
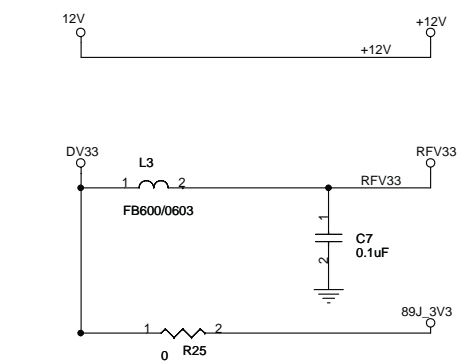
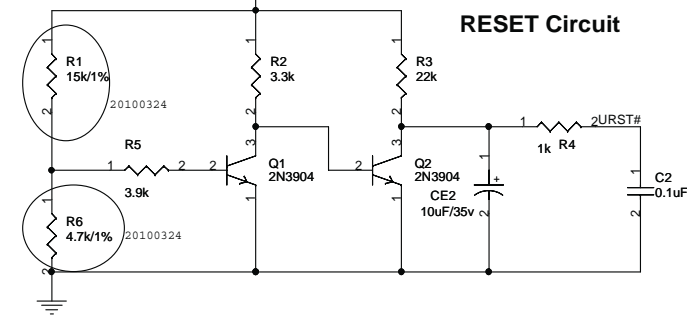
MPEG BOARD 2.0 MT1389QE SCHEMATIC DIAGRAM: INDEX / POWER / RESET

- 1 INDEX & POWER / RESET
- 2 MT1389J LQFP128
- 3 SDRAM & FLASH & MOTOR
- 4 AUDIO OUT
- 5 AUDIO IN
- 6 VIDEO I/F

Name	PIN	Features
GPO5	12	TRCLOSE
GPO_A	19	VR_CD
GPO_B	20	VR_DVD
GPIO2	23	TRIN
UP1_6	34	VSCK
UP1_7	35	VSDA
GPIO11	36	RXD
GPIO6	37	SD_D0
GPIO3	40	STBY
GPIO4	41	TROPEN IOA
GPIO13	42	VSTB
GPIO9	43	MS_D0 SD_CMD
GPIO8	44	MS_BS SD_CLK
GPIO7	45	MS_CLK
GPIO29	46	Gxyz_LOAD
GPIO30	47	Gxyz_CLK
GPIO31	48	Gxyz_DA1
GPIO32	49	Gxyz_DA2
GPIO12	93	ASPDIF
GPIO10	94	SCART1 HSYNC
GPIO33	95	SCART2 VSYNC
GPO14	97	AUDIO_MUTE
GPIO19	106	AKIN2
GPIO20	107	ADVCM
GPIO21	108	AKIN1
GPI36	124	LIMIT TROUT

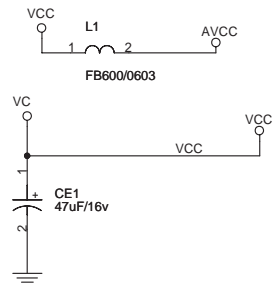
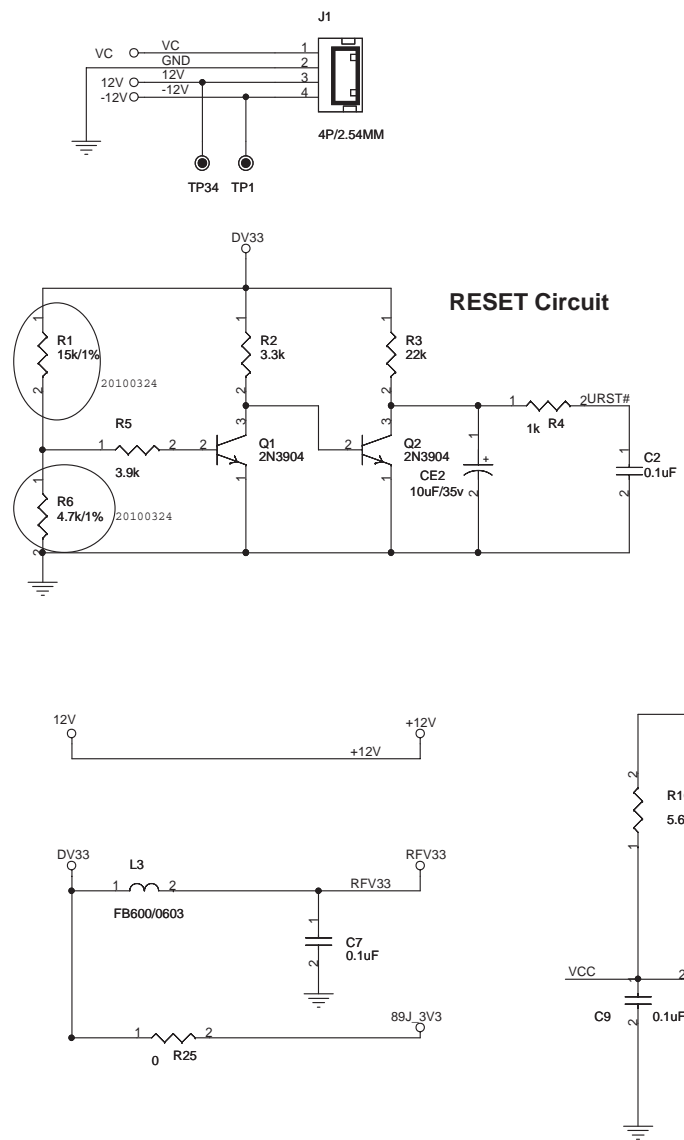


MT1389J General GPIO List



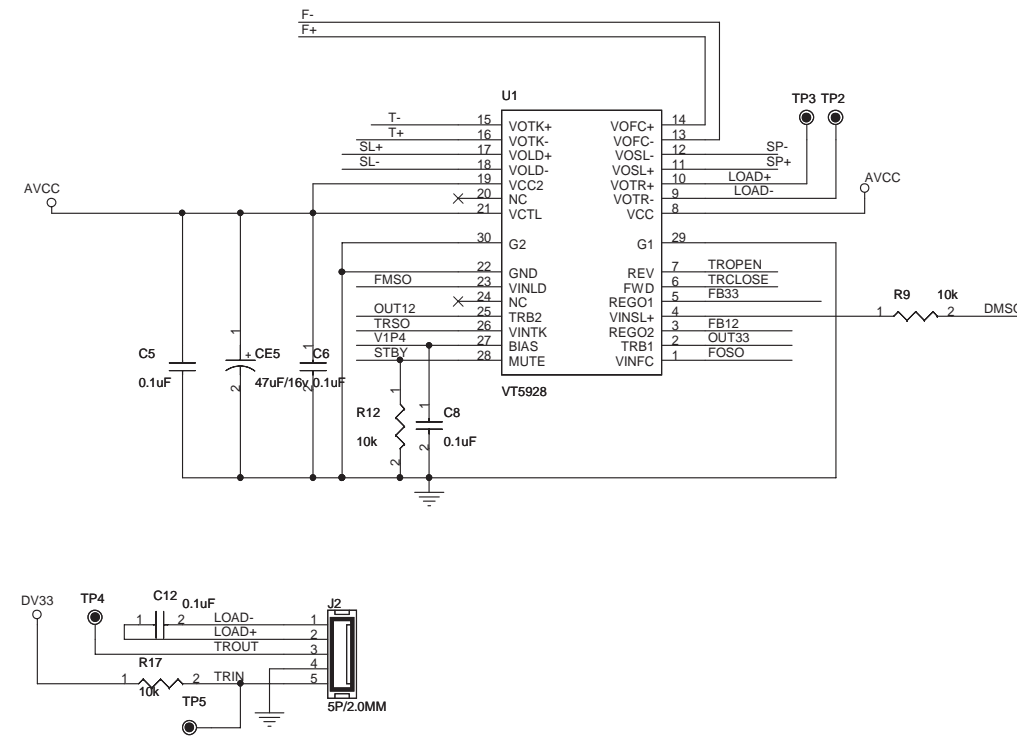
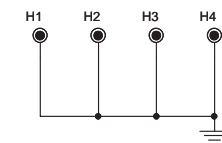
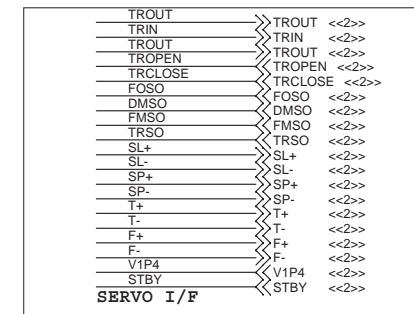
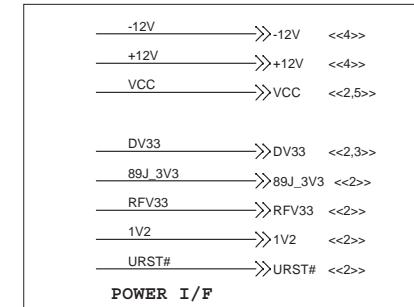
MPEG BOARD 2.0 MT1389QE SCHEMATIC DIAGRAM: MT1389J

- 1 INDEX & POWER / RESET
- 2 MT1389J LQFP128
- 3 SDRAM & FLASH & MOTOR
- 4 AUDIO OUT
- 5 AUDIO IN
- 6 VIDEO I/F



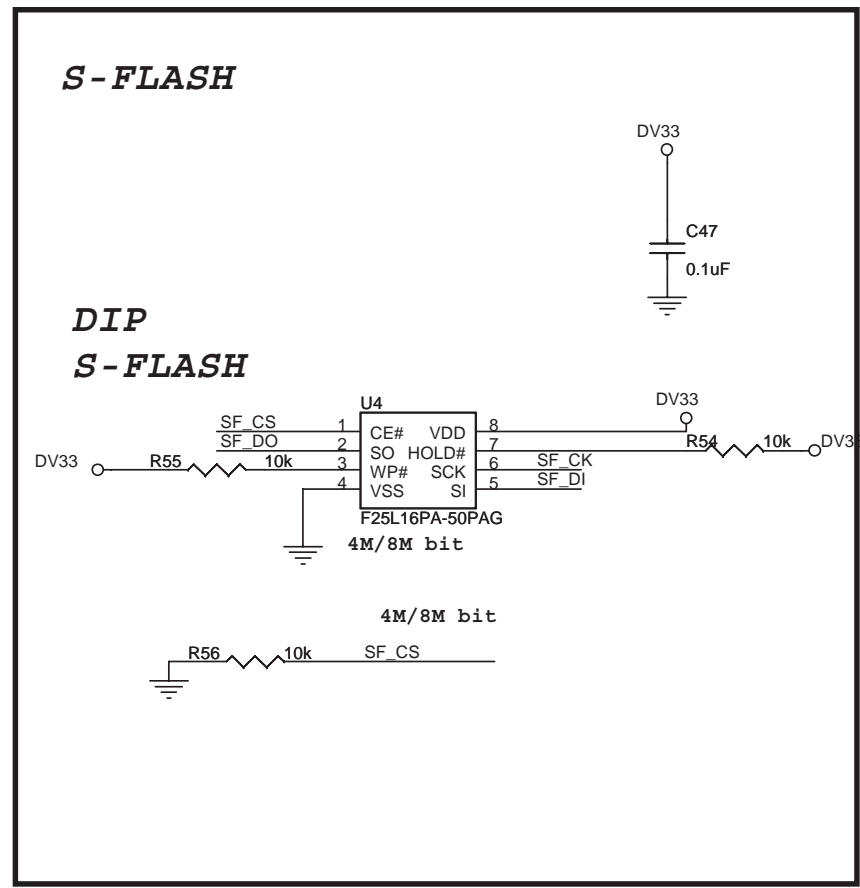
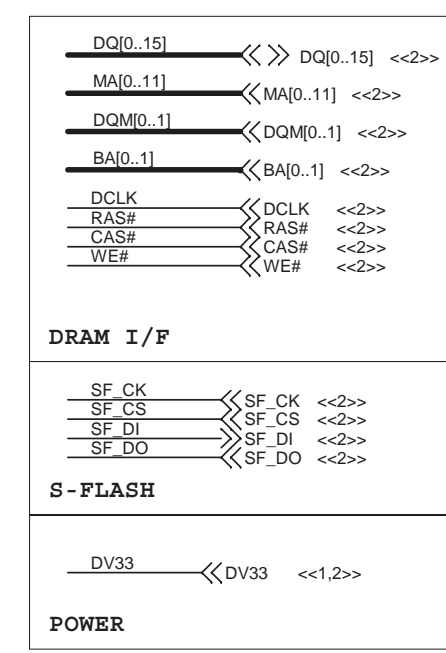
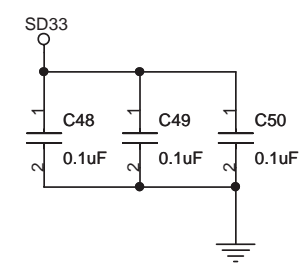
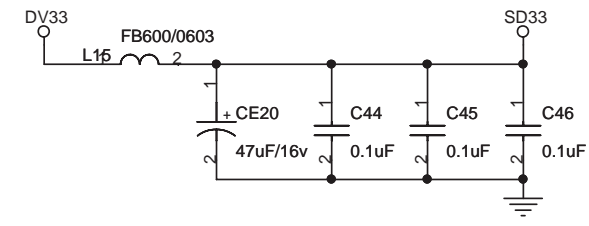
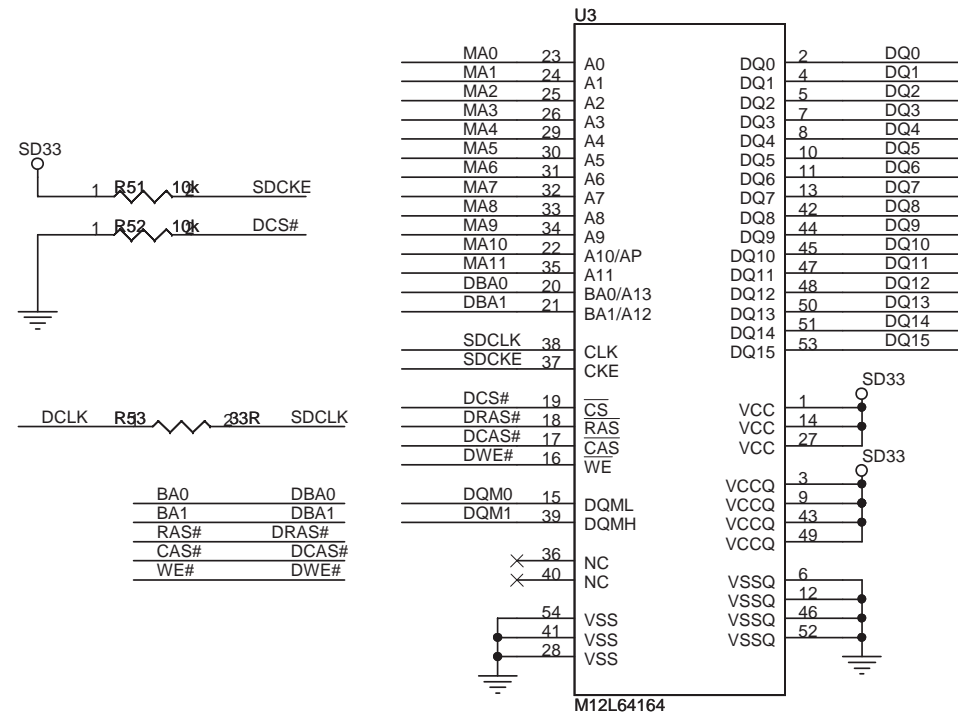
Name	PIN	Features
GPO5	12	TRCLOSE
GPO_A	19	VR_CD
GPO_B	20	VR_DVD
GPIO2	23	TRIN
UP1_6	34	VSCK
UP1_7	35	VSDA
GPIO11	36	RXD
GPIO6	37	SD_D0
GPIO3	40	STBY
GPIO4	41	TROPEN
GPIO13	42	VSTB
GPIO9	43	MS_D0
GPIO8	44	MS_BS
GPIO7	45	MS_CLK
GPIO29	46	Gxyz_LOAD
GPIO30	47	Gxyz_CLK
GPIO31	48	Gxyz_DA1
GPIO32	49	Gxyz_DA2
GPIO12	93	ASPDIF
GPIO10	94	SCART1
GPIO33	95	SCART2
GPO14	97	AUDIO_MUTE
GPIO19	106	AKIN2
GPIO20	107	ADVCM
GPIO21	108	AKIN1
GPIO36	124	LIMIT

MT1389J General GPIO List

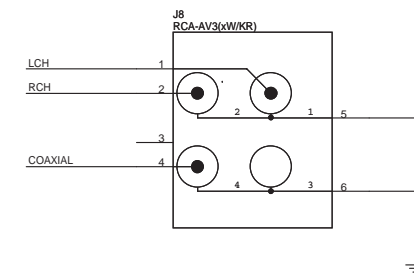
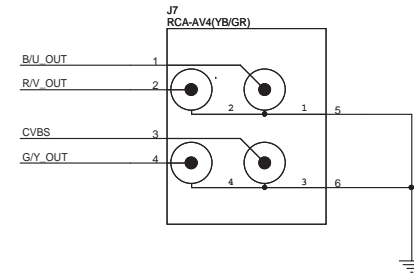
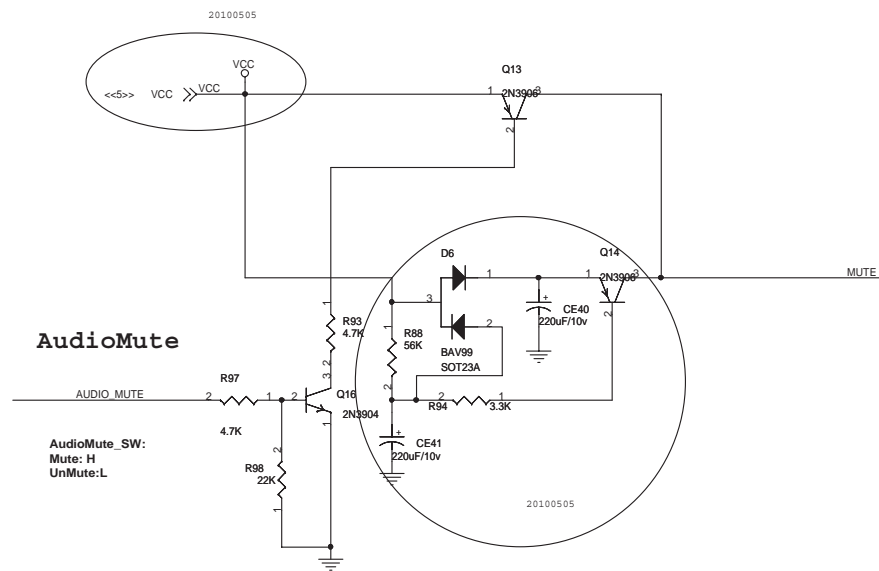
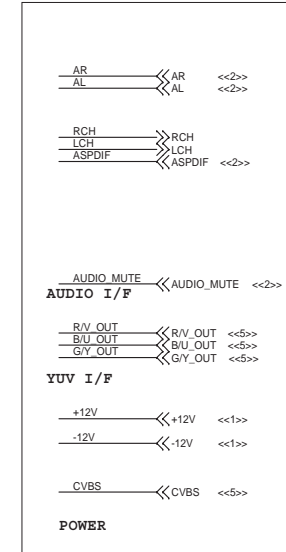
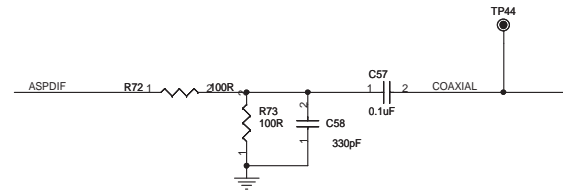
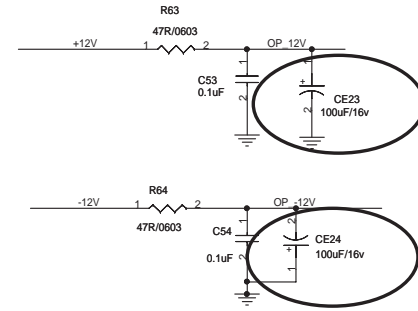
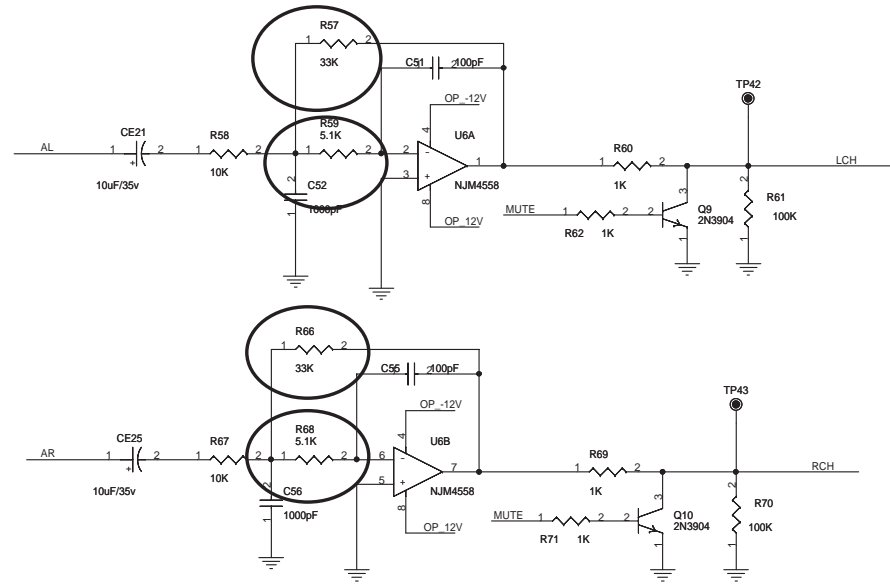


MPEG BOARD 2.0 MT1389QE SCHEMATIC DIAGRAM: SDRAM / FLASH / MOTOR

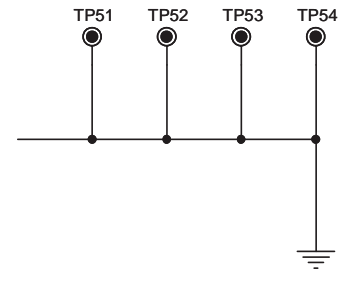
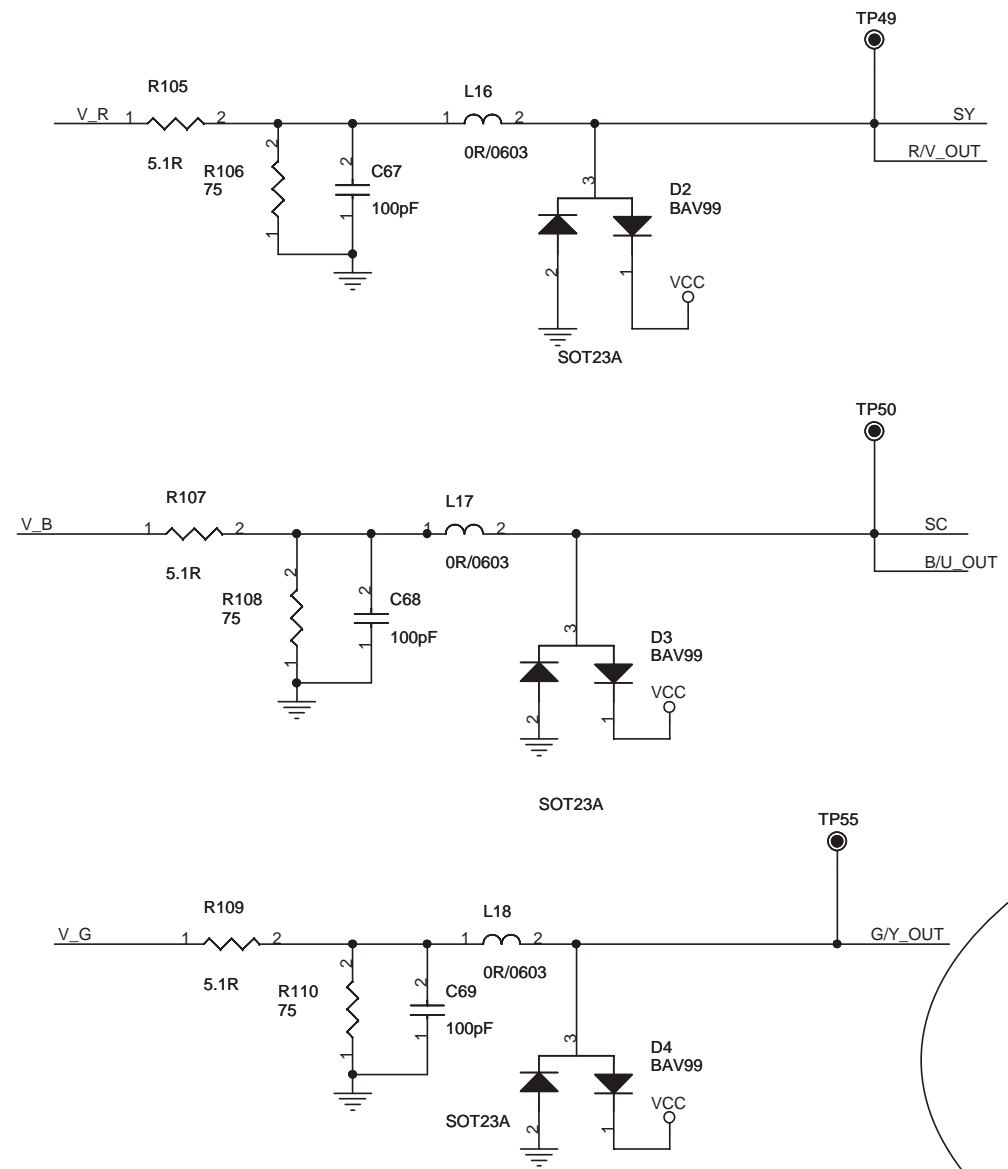
SDRAM (Dual Layout)



MPEG BOARD 2.0 MT1389QE SCHEMATIC DIAGRAM: AUDIO OUTPUT



MPEG BOARD 2.0 MT1389QE SCHEMATIC DIAGRAM: VIDEO



R/V_OUT	↔	R/V_OUT	<<4>>
B/U_OUT	↔	B/U_OUT	<<4>>
G/Y_OUT	↔	G/Y_OUT	<<4>>
CVBS	↔	CVBS	<<4>>
CVBS_OUT	↔	CVBS_OUT	<<2>>
V_R	↔	V_R	<<2>>
V_B	↔	V_B	<<2>>
V_G	↔	V_G	<<2>>

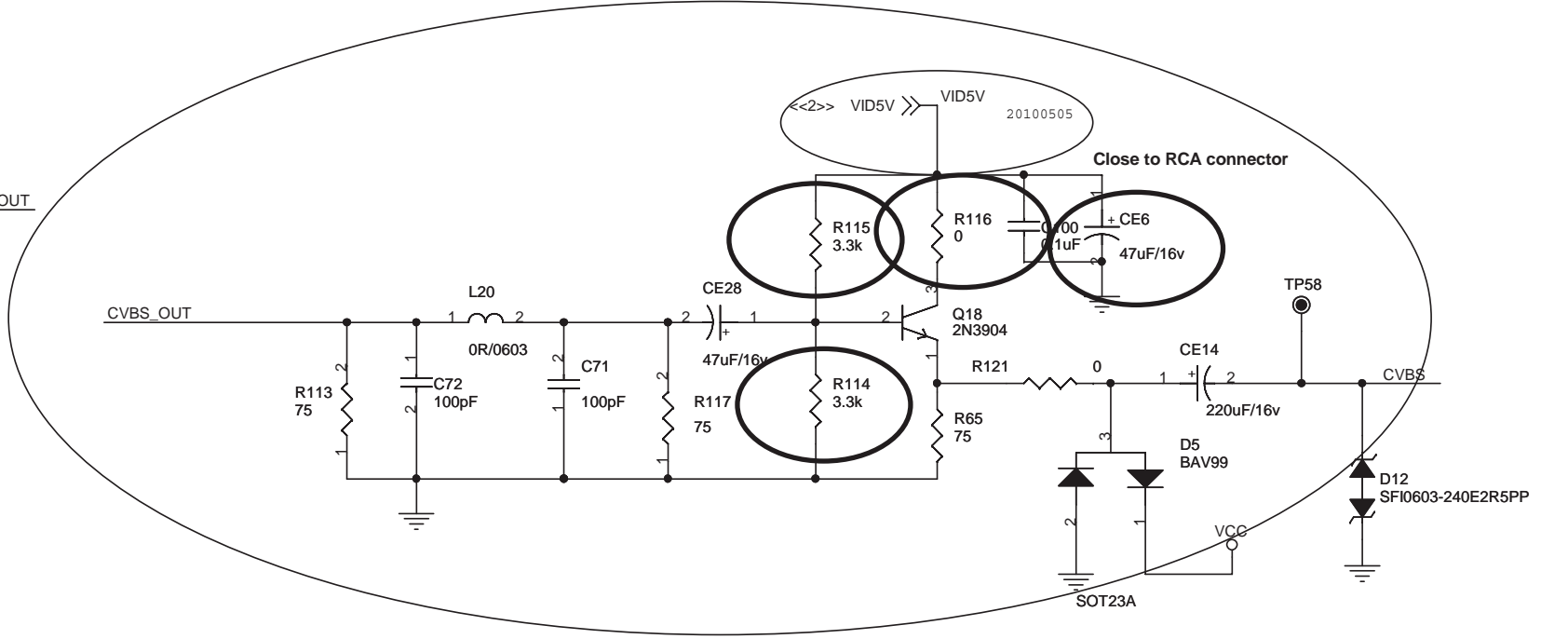
VIDEO I/F

RCH	↔	RCH	<<4>>
LCH	↔	LCH	<<4>>

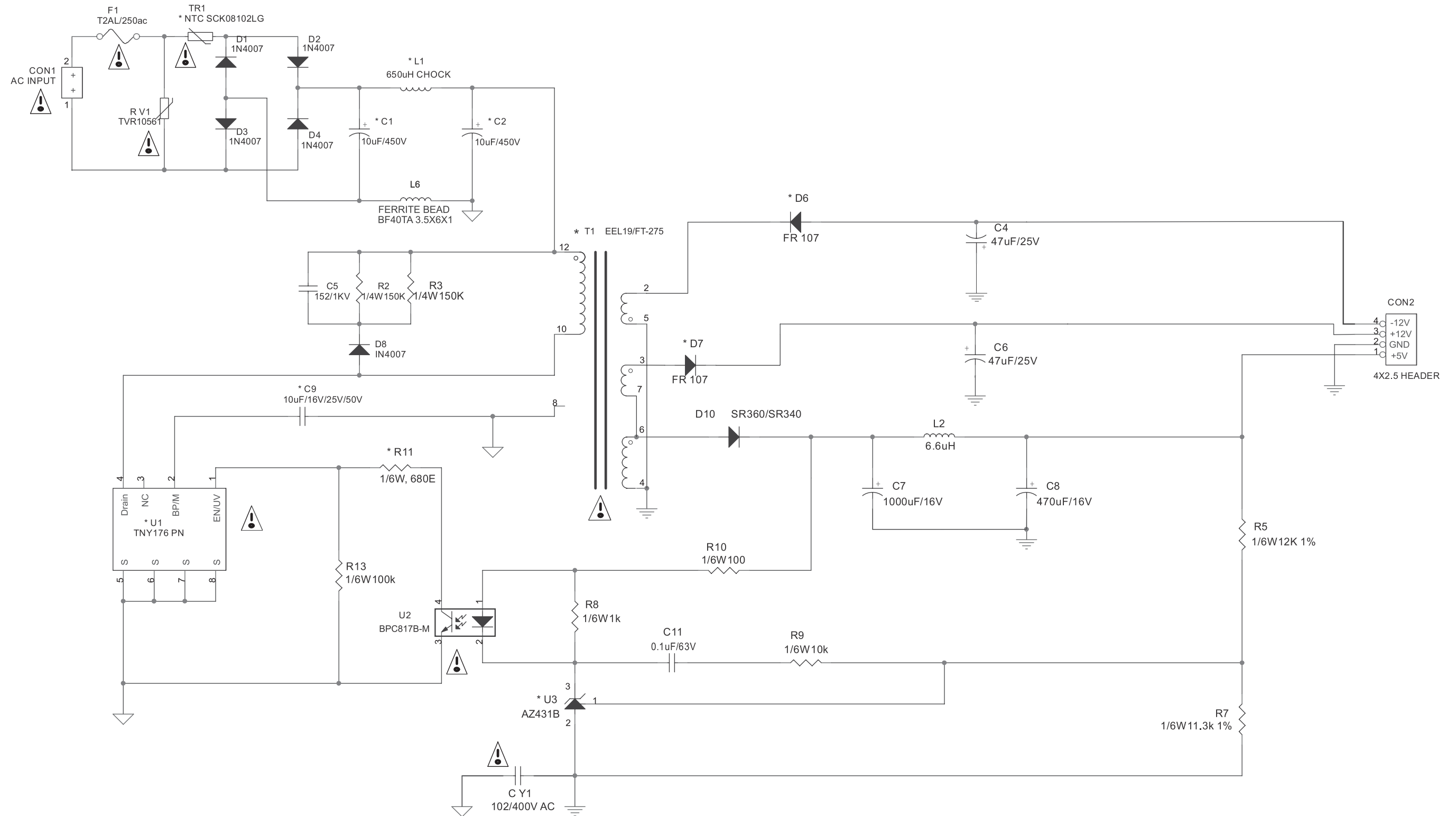
AUDIO I/F

DV33	↔	DV33	<<1,2,3>>
VCC	↔	VCC	<<1,2>>

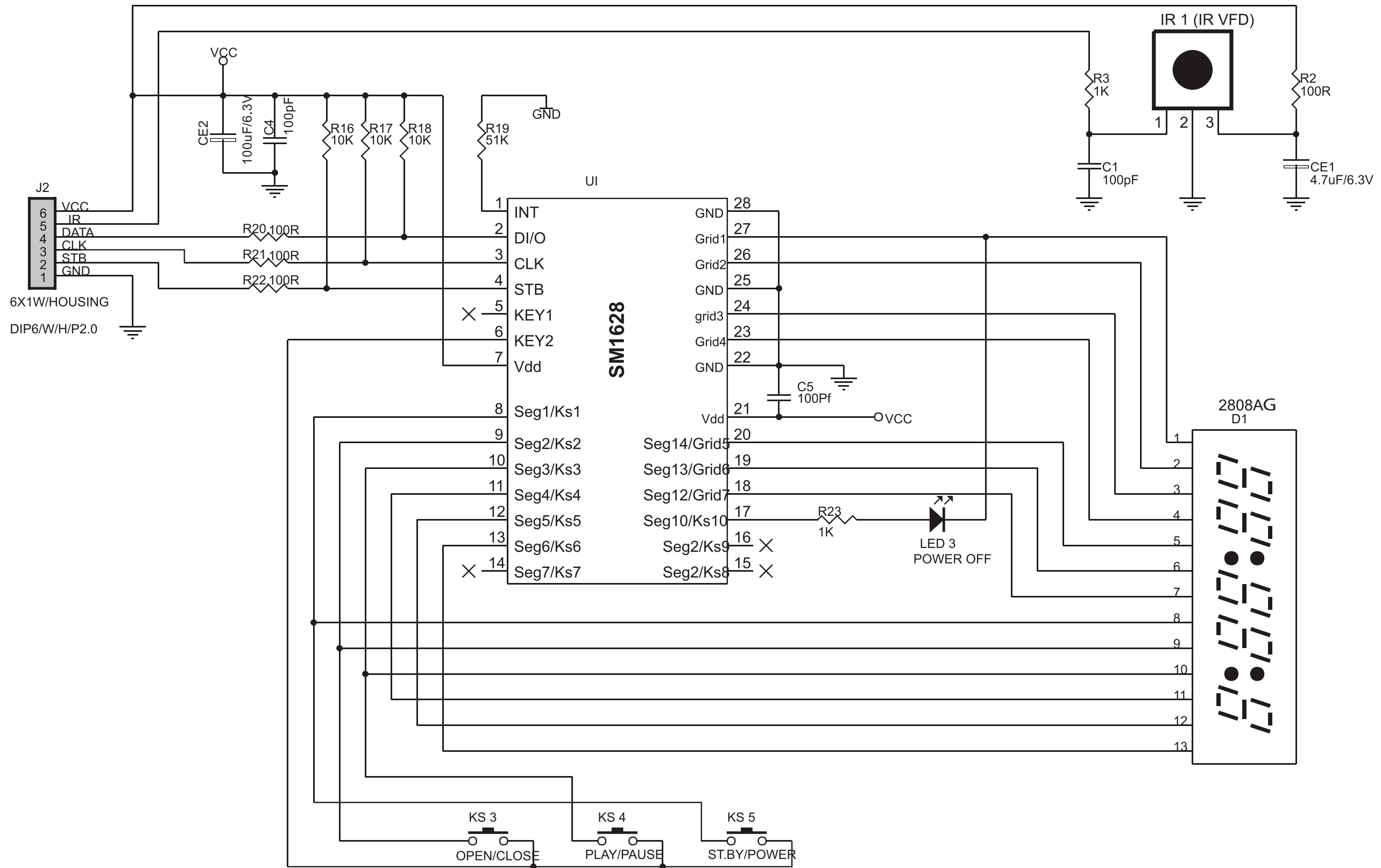
POWER



POWER BOARD SCHEMATIC DIAGRAM

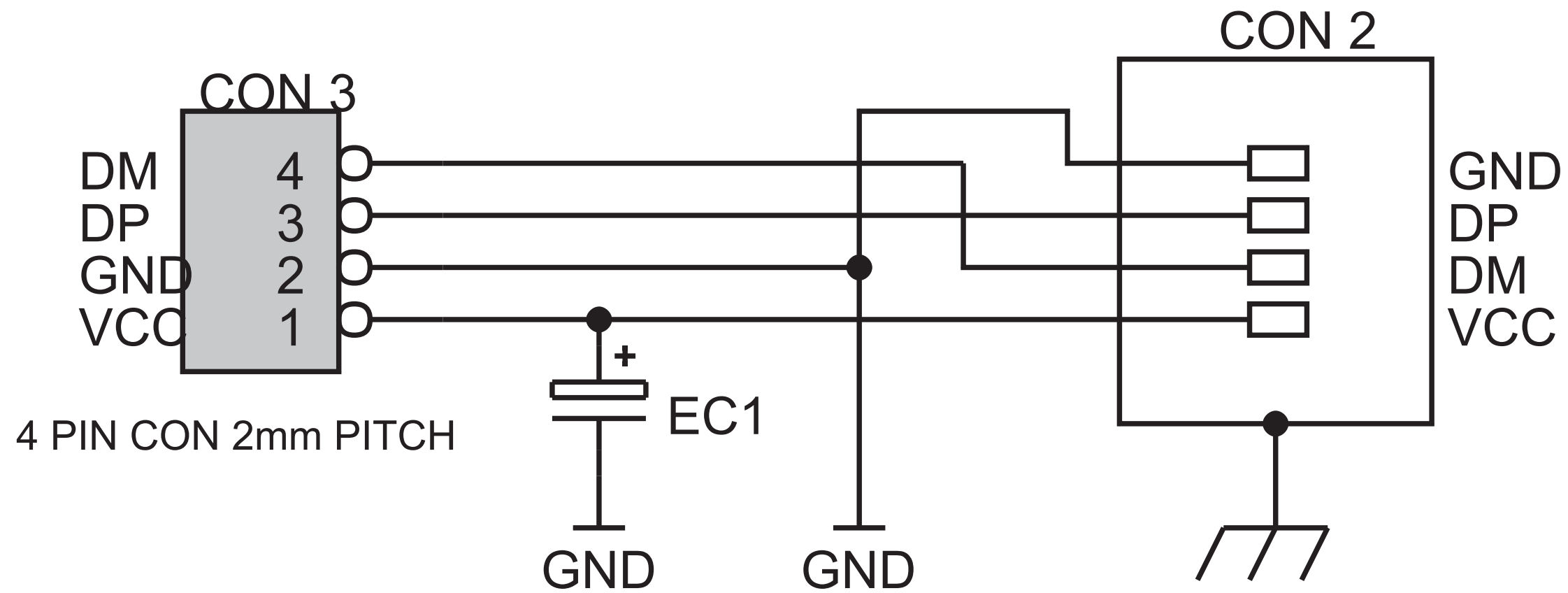


CONTROL DISPLAY SCHEMATIC DIAGRAM

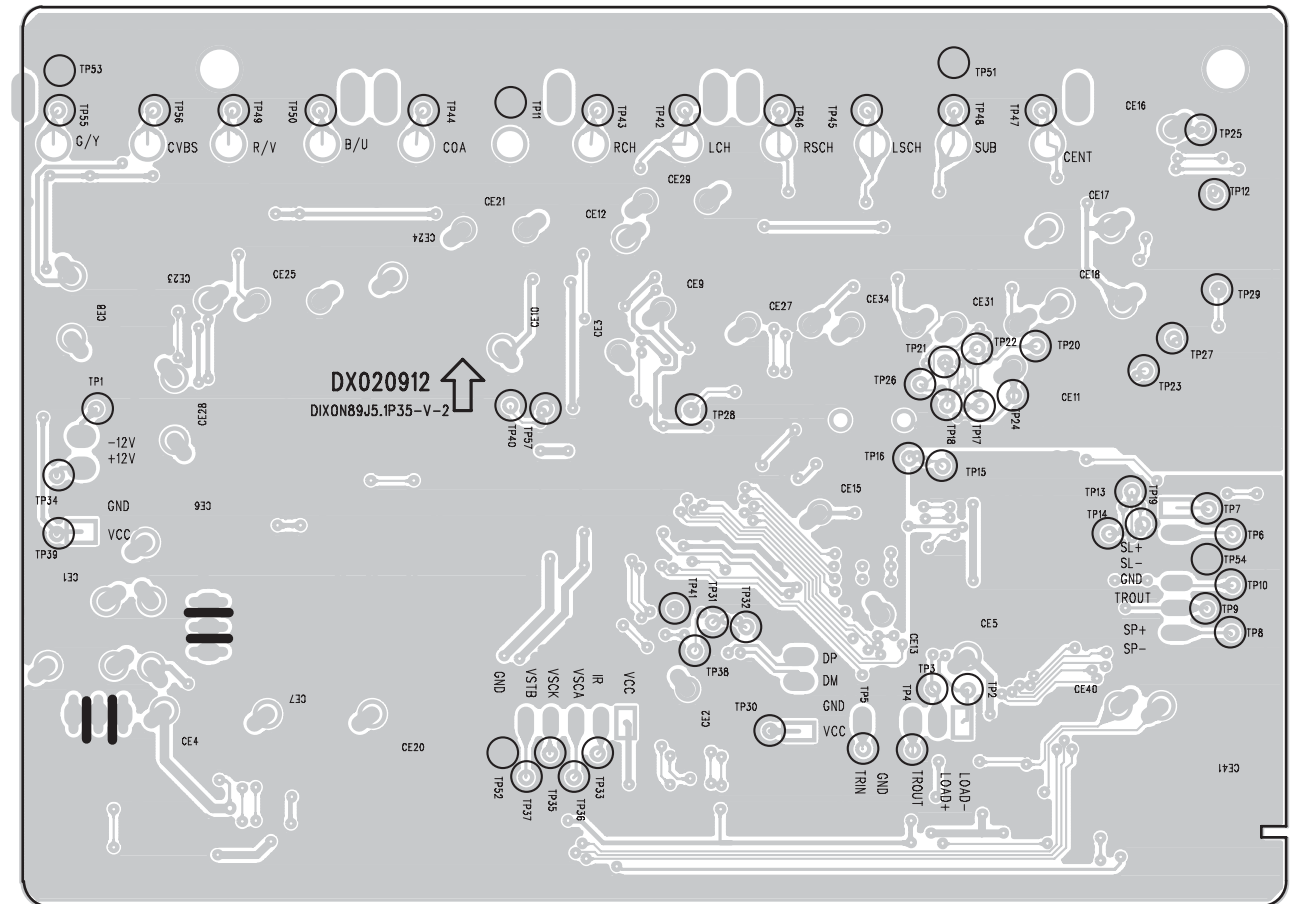
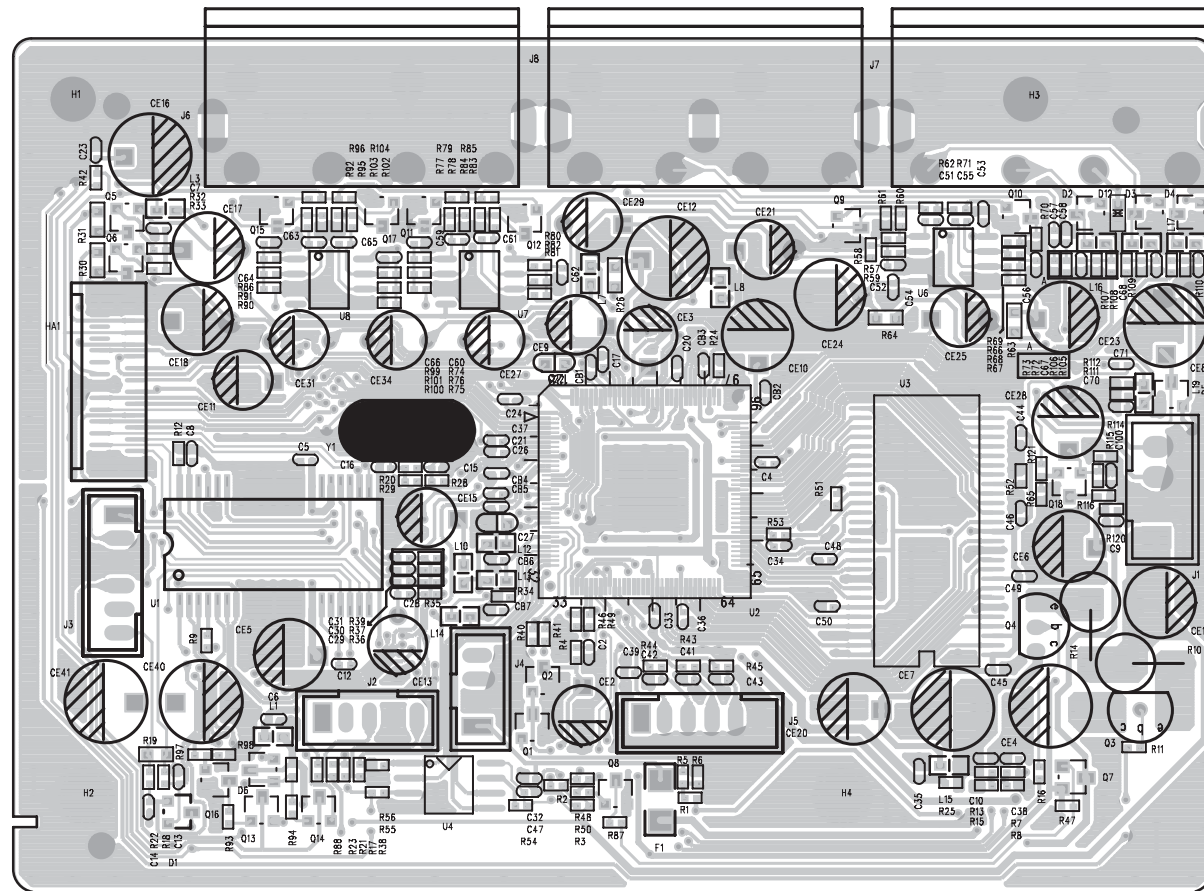


USB BOARD SCHEMATIC DIAGRAM

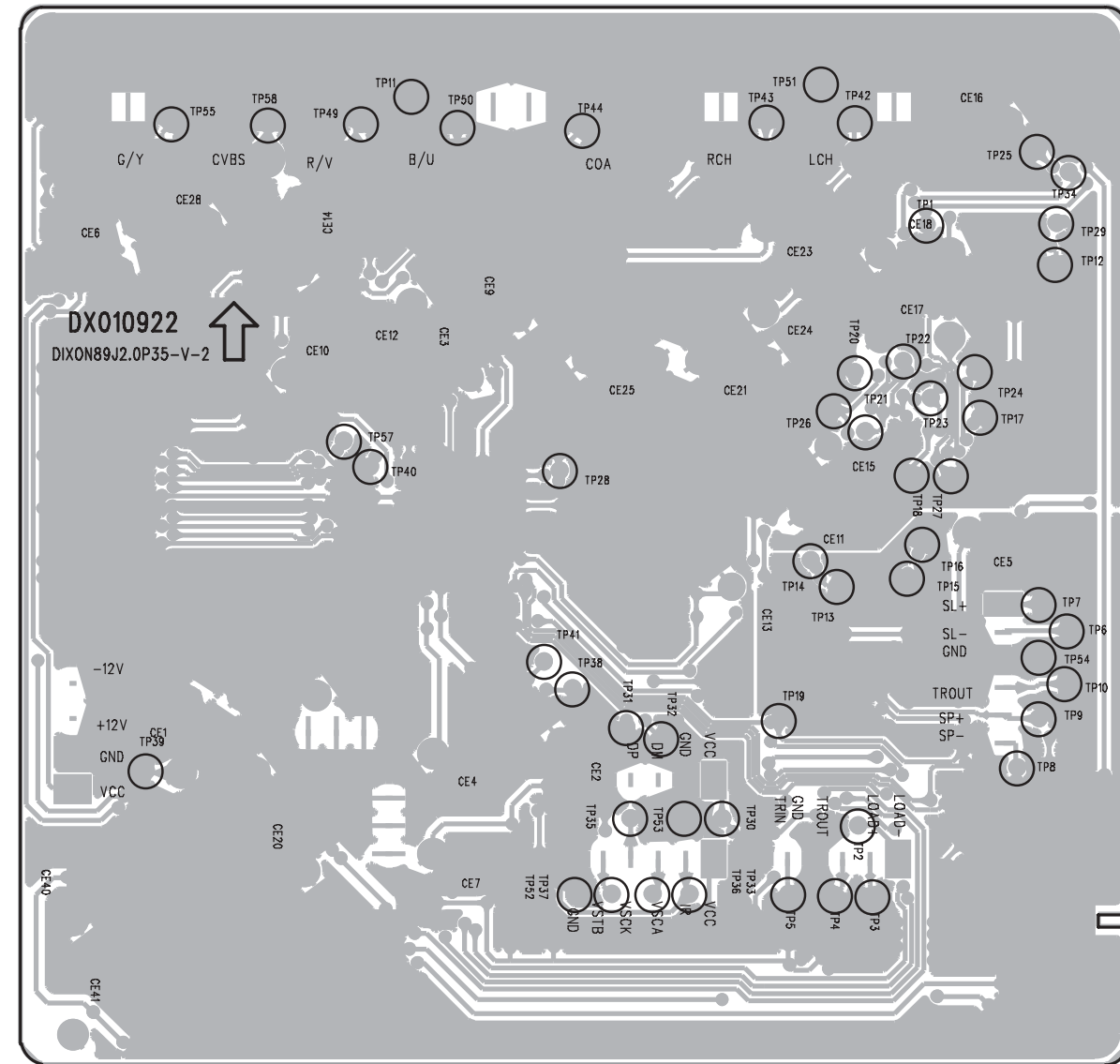
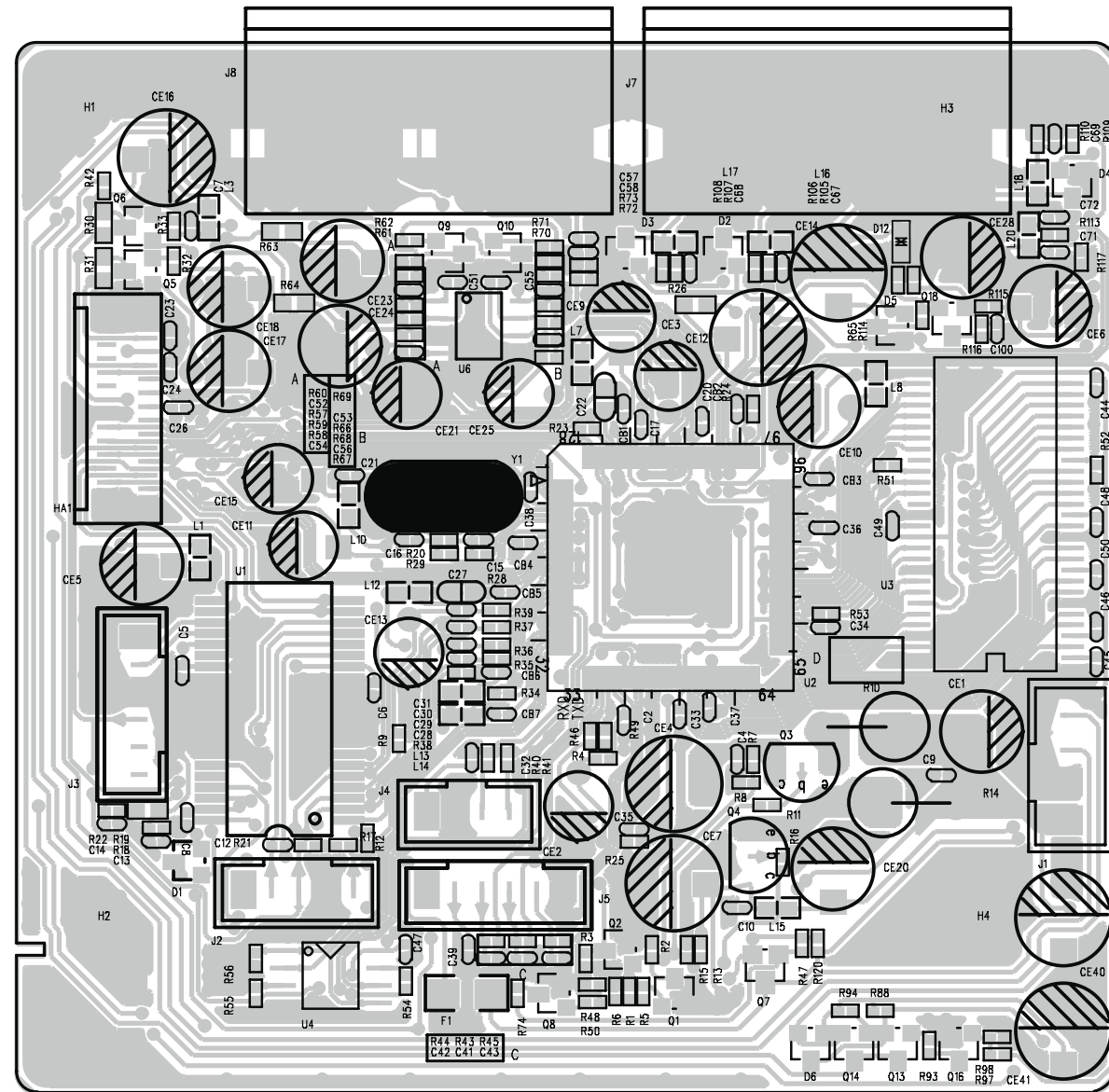
USB SOCKET DIP AF 180DEG
ZIYOU DA (23PN01010G)



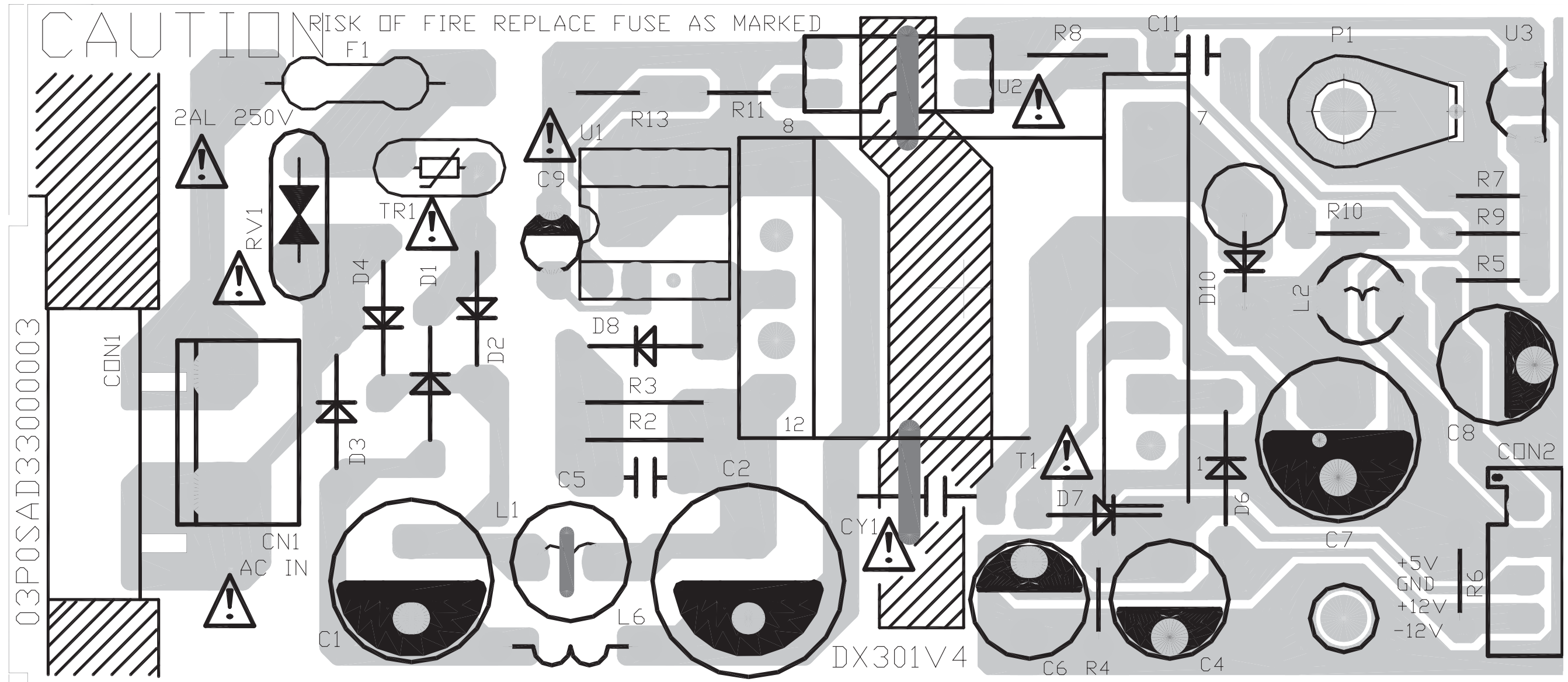
MPEG BOARD 5.1 MT1389QE PRINT LAYOUT (Top & Bottom side)



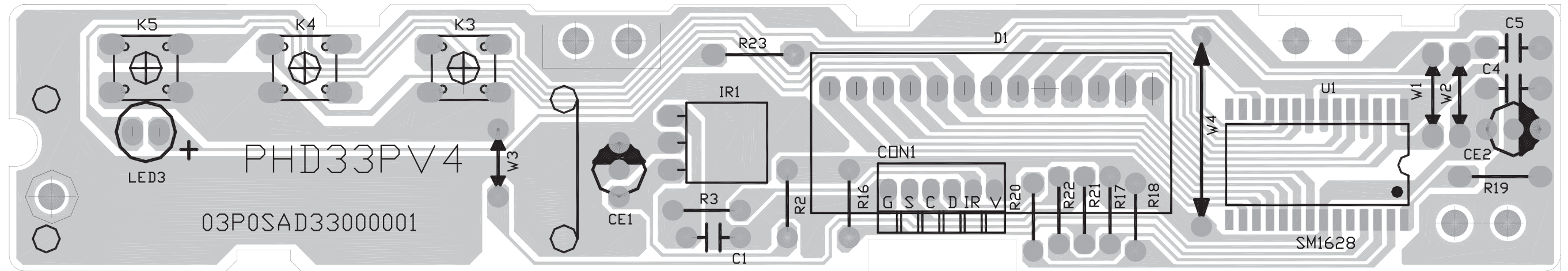
MPEG BOARD 2.0 MT1389QE PRINT LAYOUT (Top & Bottom side)



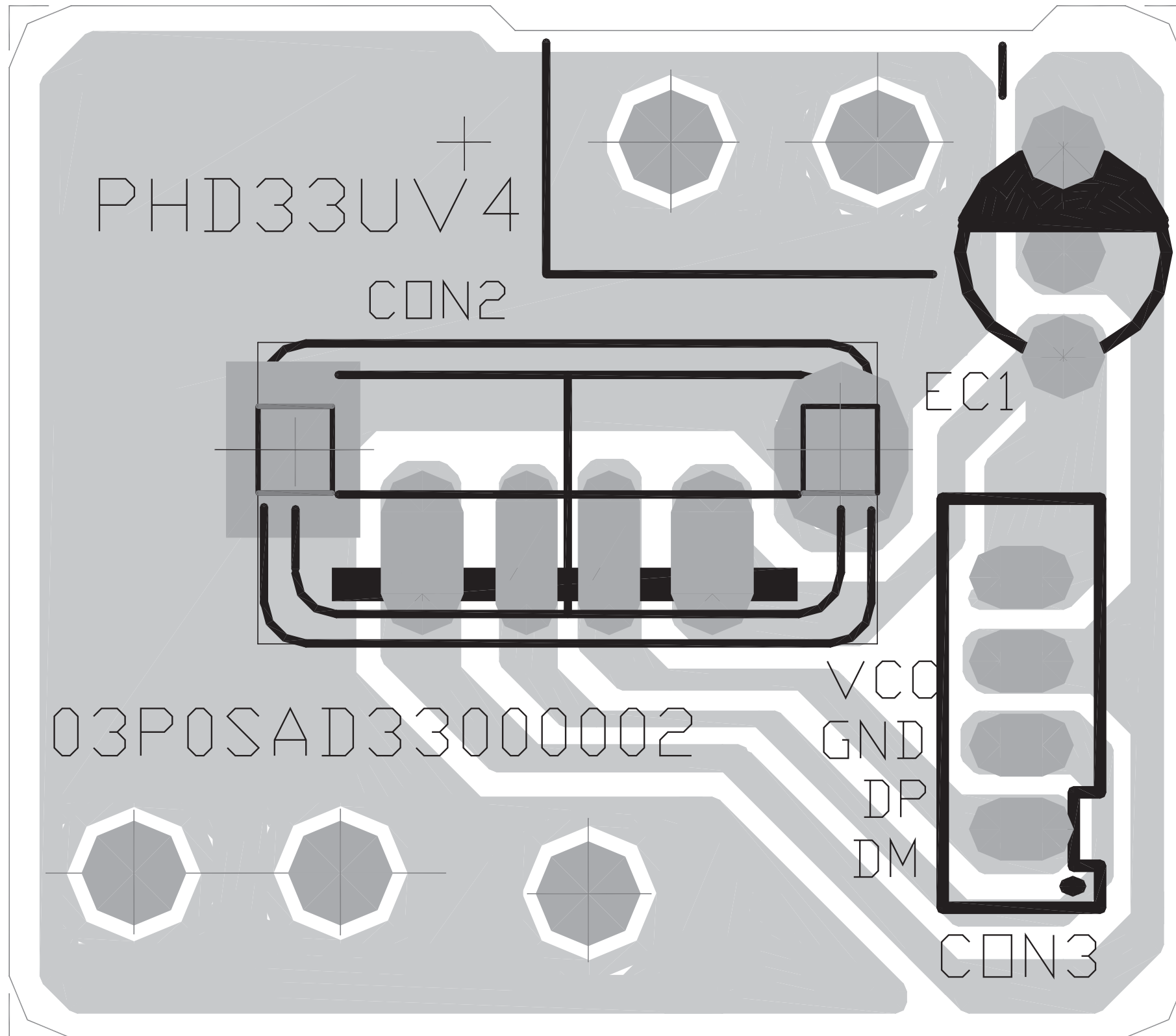
POWER BOARD PRINT LAYOUT



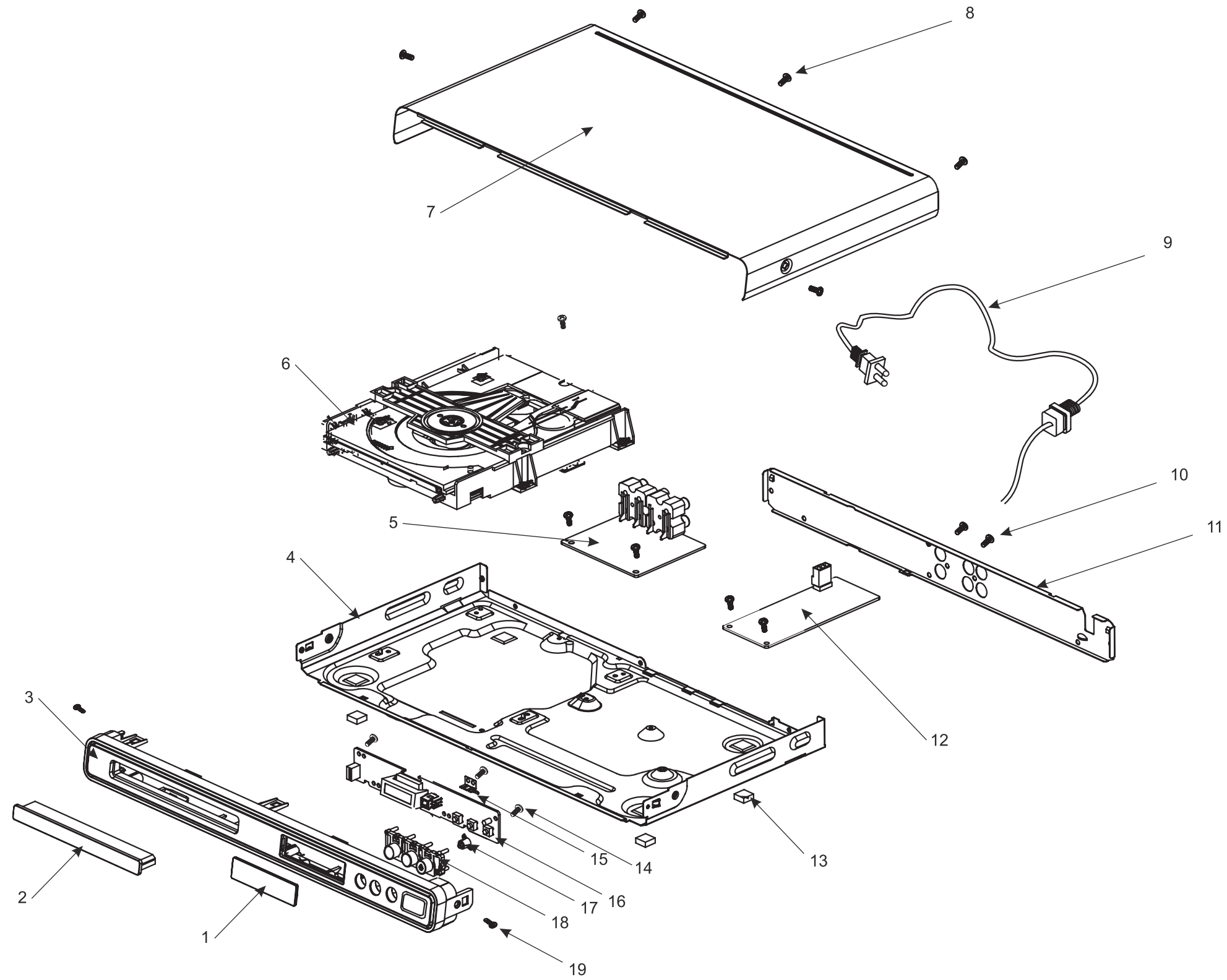
CONTROL DISPLAY PRINT LAYOUT



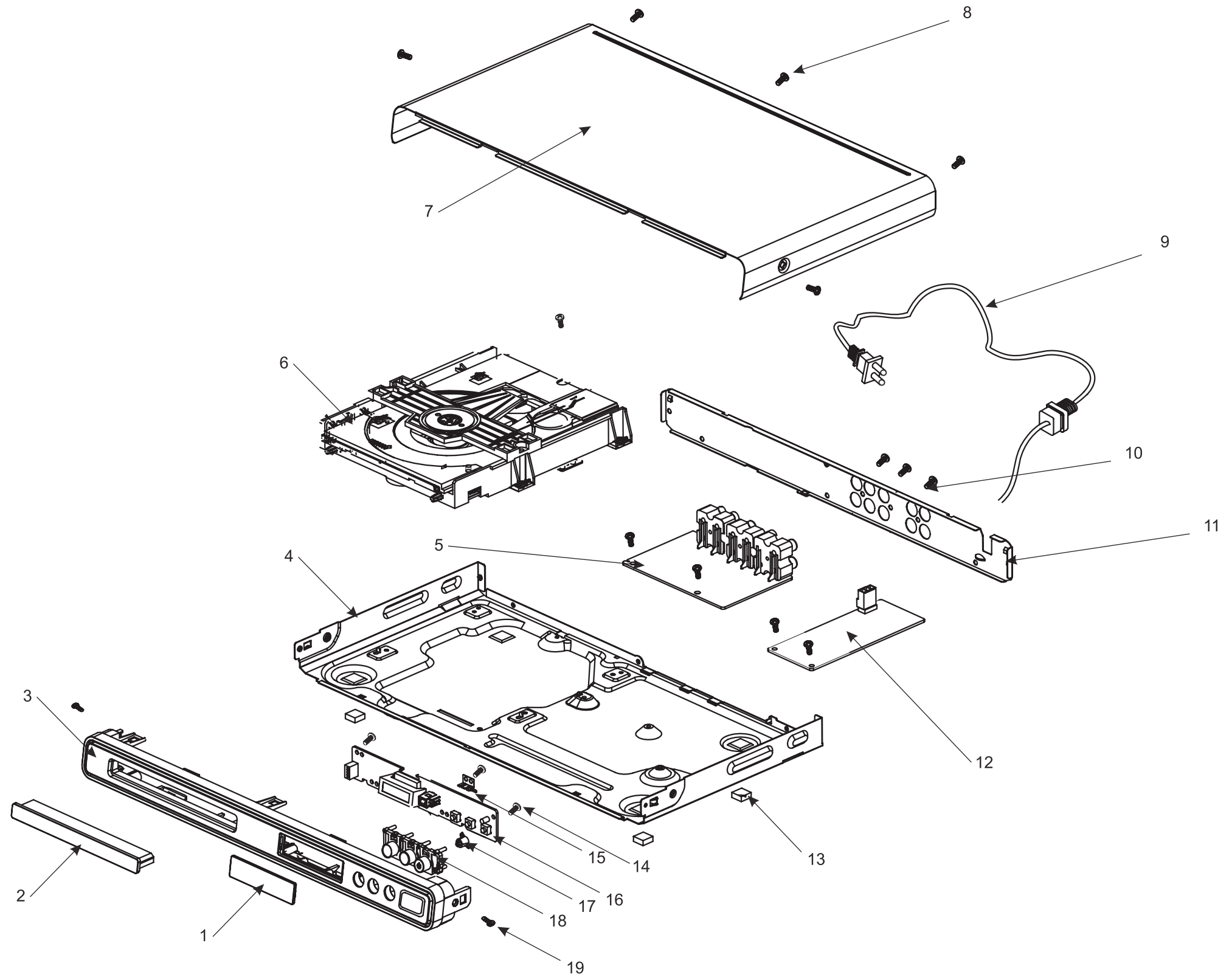
USB BOARD PRINT LAYOUT



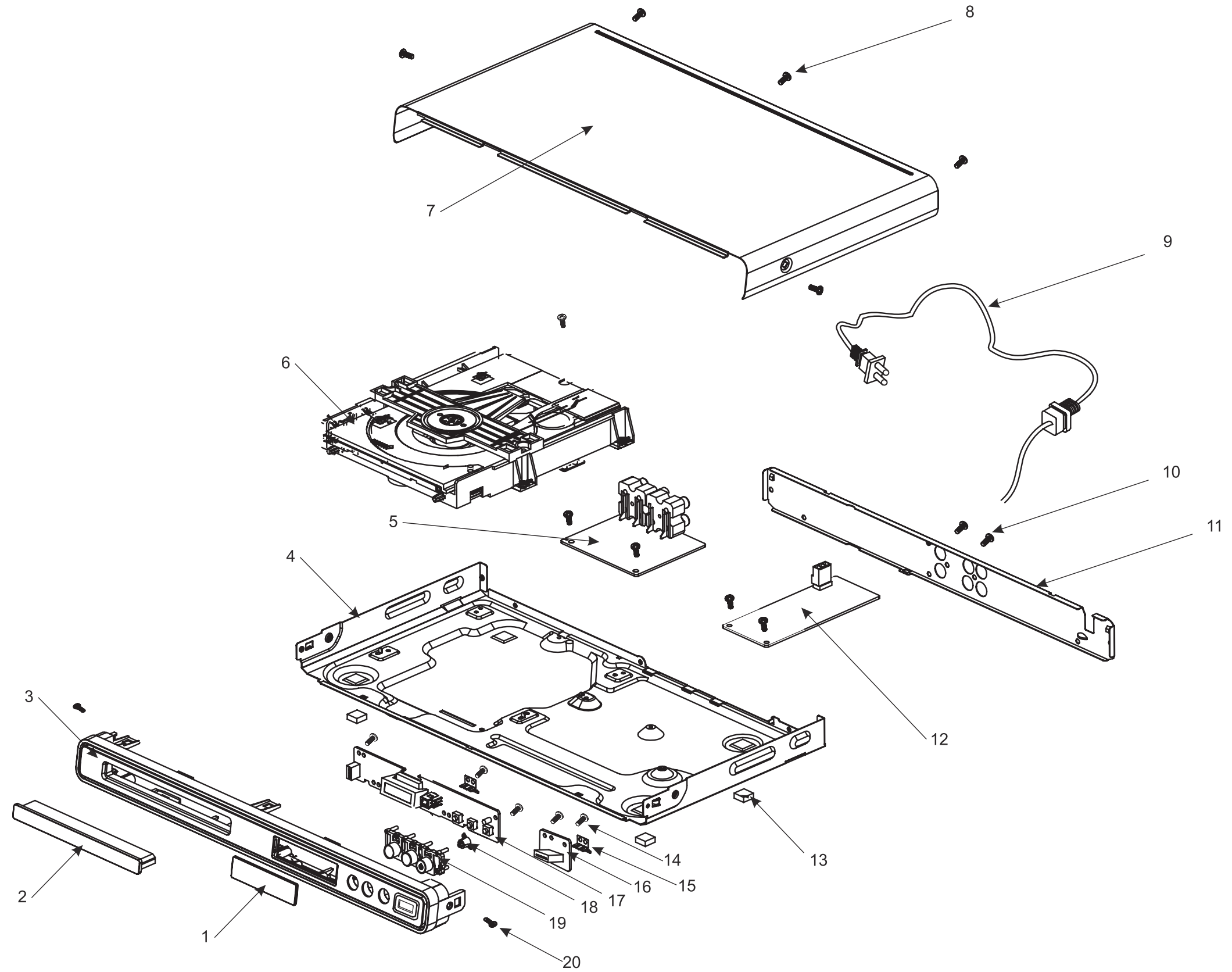
DVP3510/94 EXPLODE VIEW



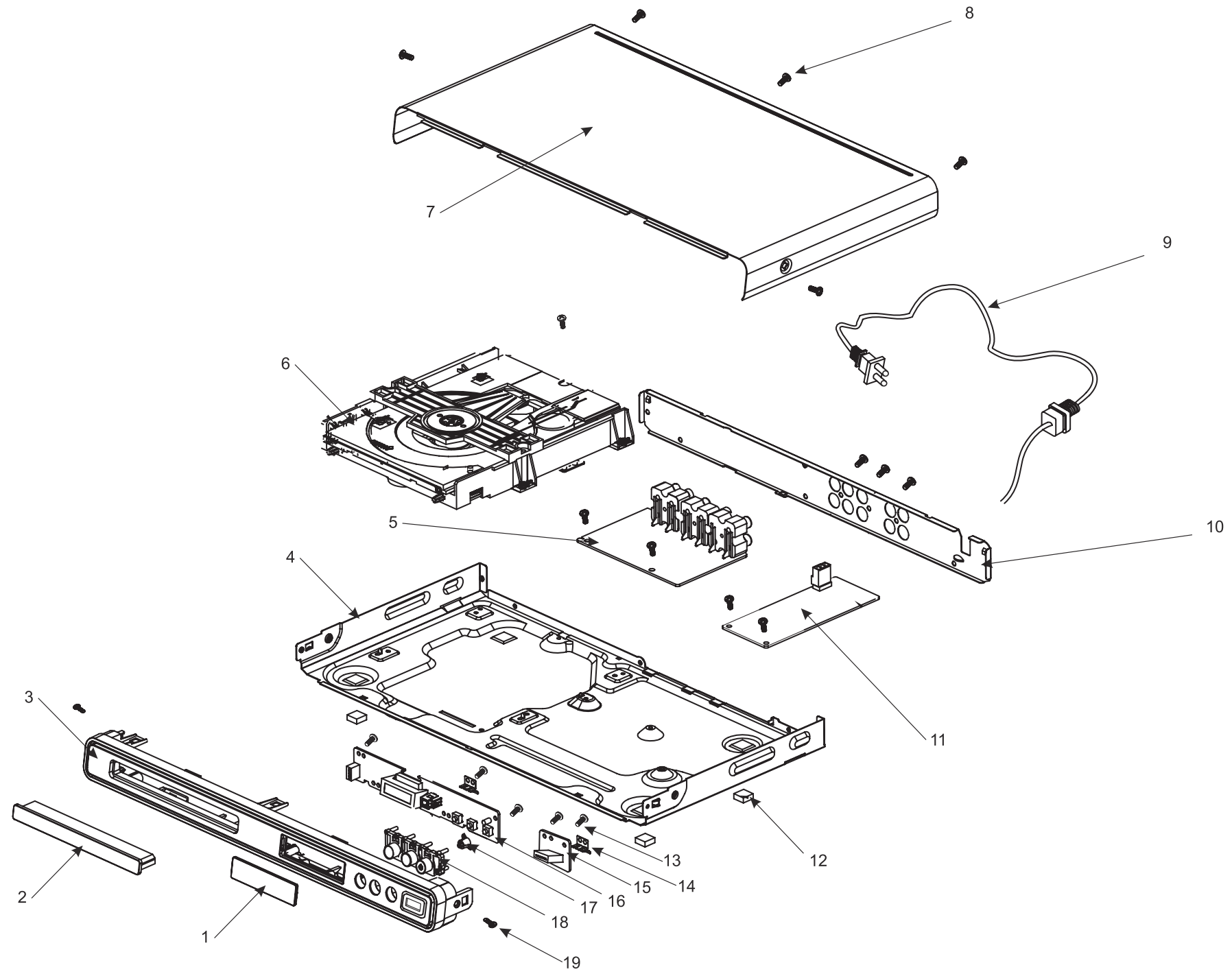
DVP3516/94 EXPLODE VIEW



DVP3520/94 EXPLODE VIEW



DVP3526/94 EXPLODE VIEW



REVISION LIST

Version 1.0

* Initial release for DVP3510/94, DVP3516/94, DVP3520/94, DVP3526/94